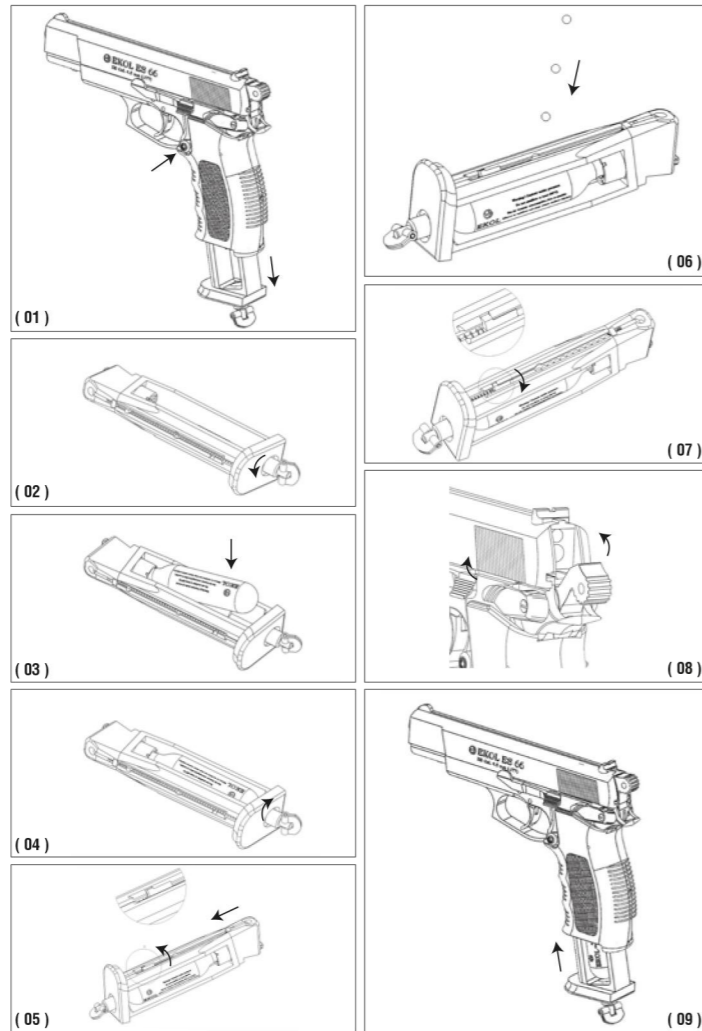




**Voltran Av Silahları ve İnş. San. Tic. Ltd. Şti.**  
Sanayi Mh. Uran Sok. No: 7 34906  
Kurtköy, Pendik - İSTANBUL / TURKEY  
T: +90 (216) 420 5380 (pbx)  
F: +90 (216) 527 8371

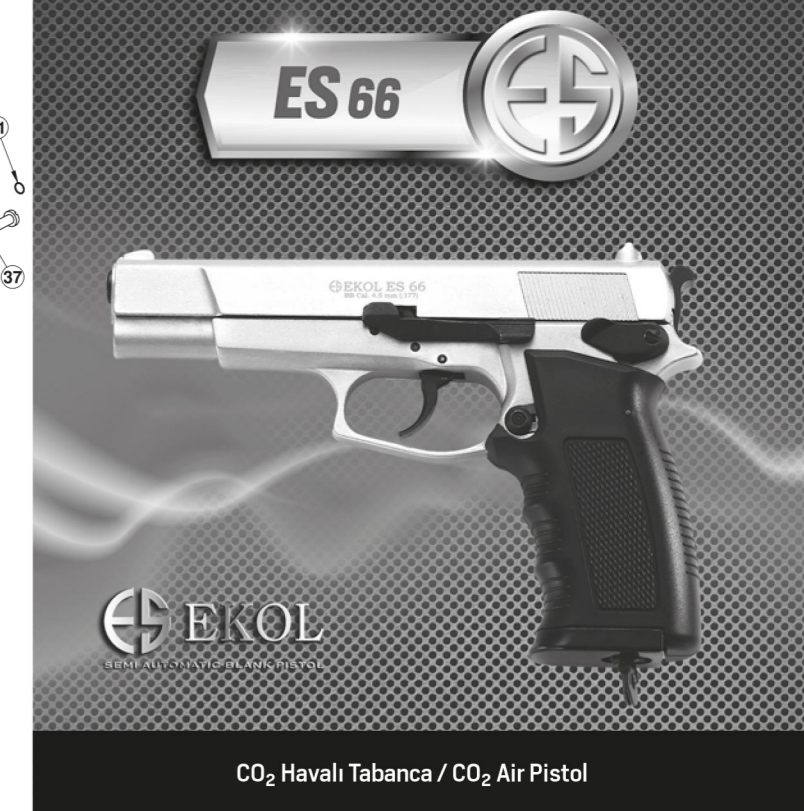
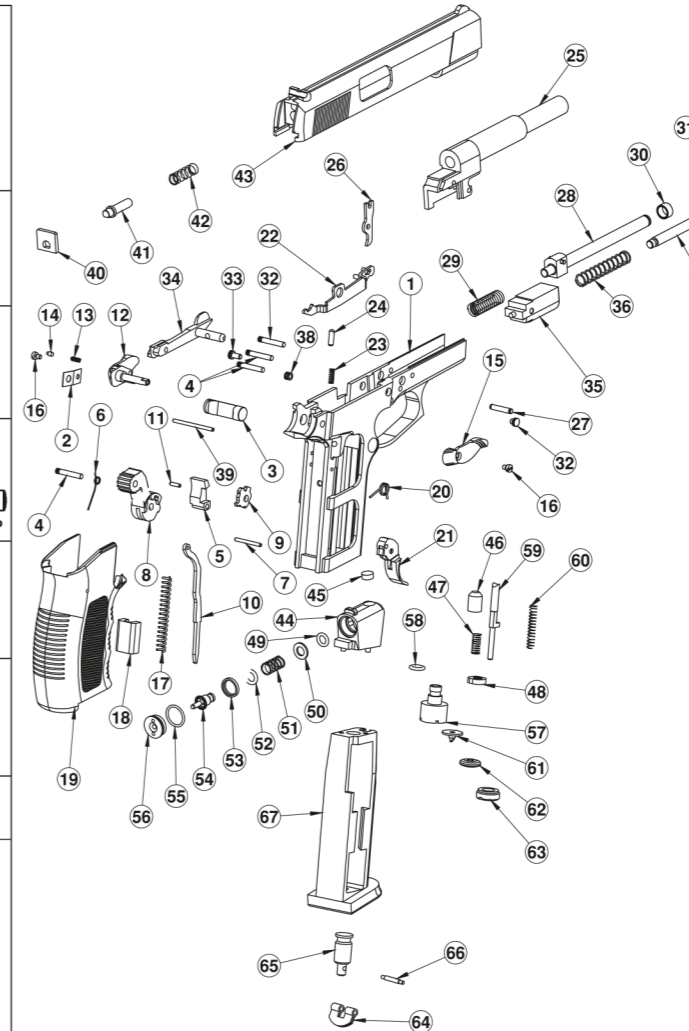
info@blank-pistol.com  
voltran@blank-pistol.com  
**www.blank-pistol.com**  
**www.voltran.com.tr**  
www.facebook.com/ekolvoltran  
www.instagram.com/ekolvoltran

Satış sonrası müşteri hizmetleri • T: +90 553 842 11 84



PARÇA LİSTESİ / PART LIST

1 - 6301.01GZ	2 - 6002.04ŞMS	3 - 6001.09ŞM	4 - 6003.09TMP	5 - 6001.11HT	6 - 6004.09HY	7 - 6007.01HTSP	8 - 6001.04H	
9 - 6002.07HIS	10 - 6002.06HBS	11 - 2007.03HİSP	12 - 6001.06EL	13 - 6004.01EHY	14 - 6003.05EHP	15 - 6001.07EKR	16 - 6003.13EMV	17 - 6304.09HY
18 - 6001.10HYT	19 - 6307.01K	20 - 6004.02TEY	21 - 6001.05TE	22 - 6302.03HDS	23 - 6004.05TIY	24 - 6007.02HDP	25 - 6401.022NZ	
26 - 6302.02NHZ	27 - 6303.15NHEP	28 - 6403.14KN	29 - 6304.10NHY	30 - 6303.16NY	31 - 6304.06TS	32 - 3007.02FTP		
33 - 6303.18NSÖP	34 - 6301.05MK	35 - 6301.04MT	36 - 6304.01MY	37 - 6403.01YM	38 - 6003.16R	39 - 6203.02KMP	40 - 6301.12İSB	41 - 6303.03Yİ
42 - 6304.03YİY	43 - 6401.01MZ	44 - 6301.08PG	45 - 6305.07M	46 - 6303.19SB	47 - 6304.08SBY	48 - 6301.11SBP	49 - 6305.01PMD	
50 - 6303.06PP	51 - 6304.02PMY	52 - 6305.02PMDO	53 - 6303.07PY	54 - 6303.04PM	55 - 6305.03PKO	56 - 6303.08PS	57 - 6303.09PBS	66 - 6303.12KP
59 - 6301.10Mİ	60 - 6304.04MİY	61 - 6303.05Pİ	62 - 6305.04PİC	63 - 6303.10PİS	64 - 6302.01K	65 - 6303.11 TSV	67 - 6301.07ŞG	



ES 66

CO<sub>2</sub> Havalı Tabanca / CO<sub>2</sub> Air Pistol

Kalibre / Caliber 4.5 mm  
Tam Boy / Overall Length 194 mm  
Genişlik / Width 36 mm  
Yükseklik / Height 144 mm  
Boş Ağırlığı / Unloaded Weight 995 g  
Şarjör Kapasitesi / Magazine Capacity 14  
Hız / Speed 150 m/s (492 fps)

