

AUTO ELECTRIC GUN

Users restricted to
18 years of age or older
使用年齡對象18歲以上

CM.042 & CM.042-S



Always read through this manual before operation.

在操作之前必需读熟这些说明书



警告 WARNING



18岁以上年龄才能使用
Only for 18 years
of age or older

18岁以上年龄才能利用这支汽枪比赛使用

Operation of this air gun for competition use is restricted to users of 18 years of age or older.



注意受损伤
Injury caution

因为BB弹能达到50-60米范围, 不小心的射击将可能导致眼睛受损伤或其它伤害。

Since plastic BB bullets reach 50 to 60 meters, careless shooting may cause eye damage or other injuries.



注意熟读警告指示手册
Careful reading of
Handling cautions
and
Instruction manual

在操作之前要细心读熟警告手册和指示手册操作汽枪时必须认识好警告指示

Always read through this HANDLING CAUTIONS AND INSTRUCTION MANUAL carefully before operation.
Operate the air gun with full recognition of warnings and cautions.



WARNING

警告

HANDLING CAUTIONS AND INSTRUCTION MANUAL

操作汽槍之前請仔細閱讀操作手冊

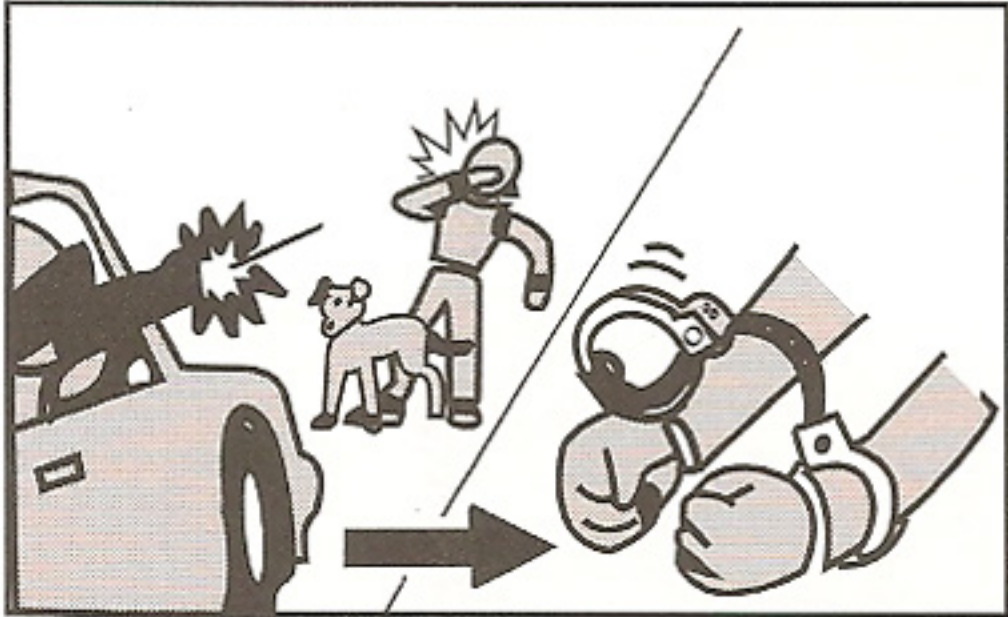
Always wear eye protective gear. 玩槍時，請始終戴着眼保護裝置。



When shooting the air gun for a target or game, you and all participants must wear goggles or other eye protective gear, also paying attention to ricochets. (Pay sufficient attention also to third personnel other than participants.)

當使用氣槍射擊目標或遊戲時，你和所有的參與者都必須戴着防護眼鏡或其它眼保護裝置，同時要注意子彈的彈跳方向。(而且要特別注意不能射向遊戲者以外的第三者。)

You may be punished if you are shooting for a practical joke. 如果用汽彈槍開惡意玩笑，可能會受到懲罰。



You may be punished if you damage public or personal properties or injure a person or animal even if you are shooting for a practical joke. Always observe manners and enjoy healthy sport shooting.

如果你損害公共的或私人的財產，或者傷害人或動物，即使你是在進行射擊實踐遊戲，你也會受到懲罰。請始終遵守規定，享受有益健康的運動射擊。

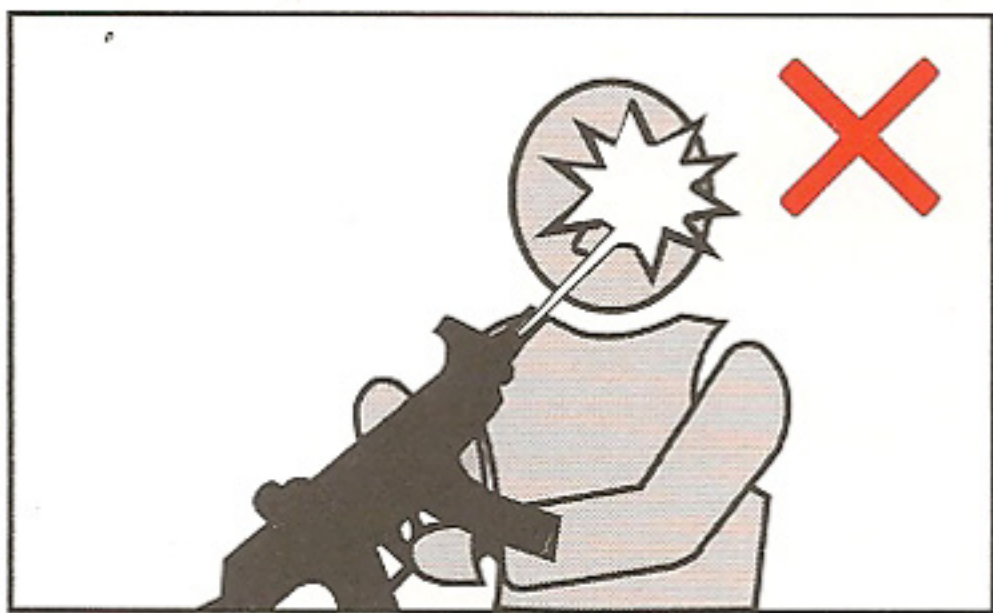
Never disassemble or modify the air gun. 避免拆除或改裝該氣槍



This air gun is manufactured under consideration of appropriate performance and operability. Disassembling or modifying the gun may generate danger or adversely affect the performance. So, avoid disassembling or modifying the air gun.

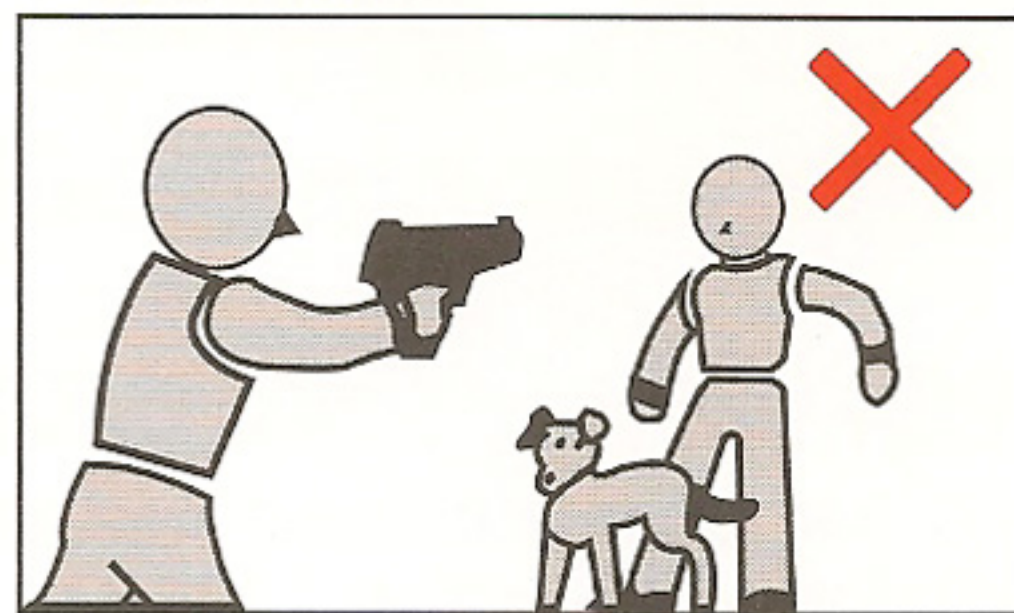
該氣槍是根據適當的性能和操作而制造的。拆除或改裝氣槍可能產生危險或者逆反操作。因此要避免拆除或改裝該氣槍

Never look into the gun muzzle. 禁止直接目視槍口



Do not look directly into the gun barrel to avoid accidental discharge of BB. 不要直接地看槍口，避免BB彈意外射擊。

Never shoot at any human or animal. 禁止射擊人或動物



Never aim or shoot a person or animal as the target. Always attach the protective plug to the muzzle, except when you are ready to shoot a target. 不可把人或動物當作目標瞄準或射擊。除非你準備去射擊一個明確的目標。

- Make sure to operate an air gun after recognizing its features.
- We are not responsible for any accidents, events, injuries or repair costs arising from wrong operation and handling or by modification and disassembly of the gun.
- 請確保在了解其特征之后再使用該氣槍。
- 對於任何由錯誤操作或改裝和拆卸氣槍所引起的意外事故，突發事件，受傷或修理費用，我們將不負有責任。

● **THOROUGHLY UNDERSTAND THE WARNINGS AND CAUTIONS FOR SAFE OPERATION.**

詳細閱讀說明書中要注意的操作，才能安全的使用本產品。



Read through this manual before shooting paying special attention for safe operation.

在使用前，請詳細閱讀本說明書，以便安全的操作本產品。

WARNING
警告

CAUTION
注意

Always observe warnings and cautions strictly. Failing to do so may cause injury, accidents, or damage to the gun. 要嚴格遵守本產品中的警告及注意事項。否則將造成傷害或是槍支的損害。

1 Charging the Battery (Battery and charger sold separately.)

電池充電器(電池和充電器有單獨出售)

- Use the specified battery for the gun. 8.4V.1200mAh Hyper Command Mini Battery Hyper Command Mini Battery. Avoid use of non-standard or other brand name batteries. Otherwise, the originally designed functions will not be obtained.


使用槍支專用的電池。8.4伏，1200毫安小電池。Hyper Command
請避免使用非標準或其他品牌的電池，否則將達不到設計要求。

CM.042-S Use the specified battery. 請使用專用電池



- **8.4V Type Mini Battery**
8.4V 的小電池
- **Exclusive Charge for Mini Battery.**
小電池專用的充電器

CM.042 Use the specified battery. 請使用專用電池



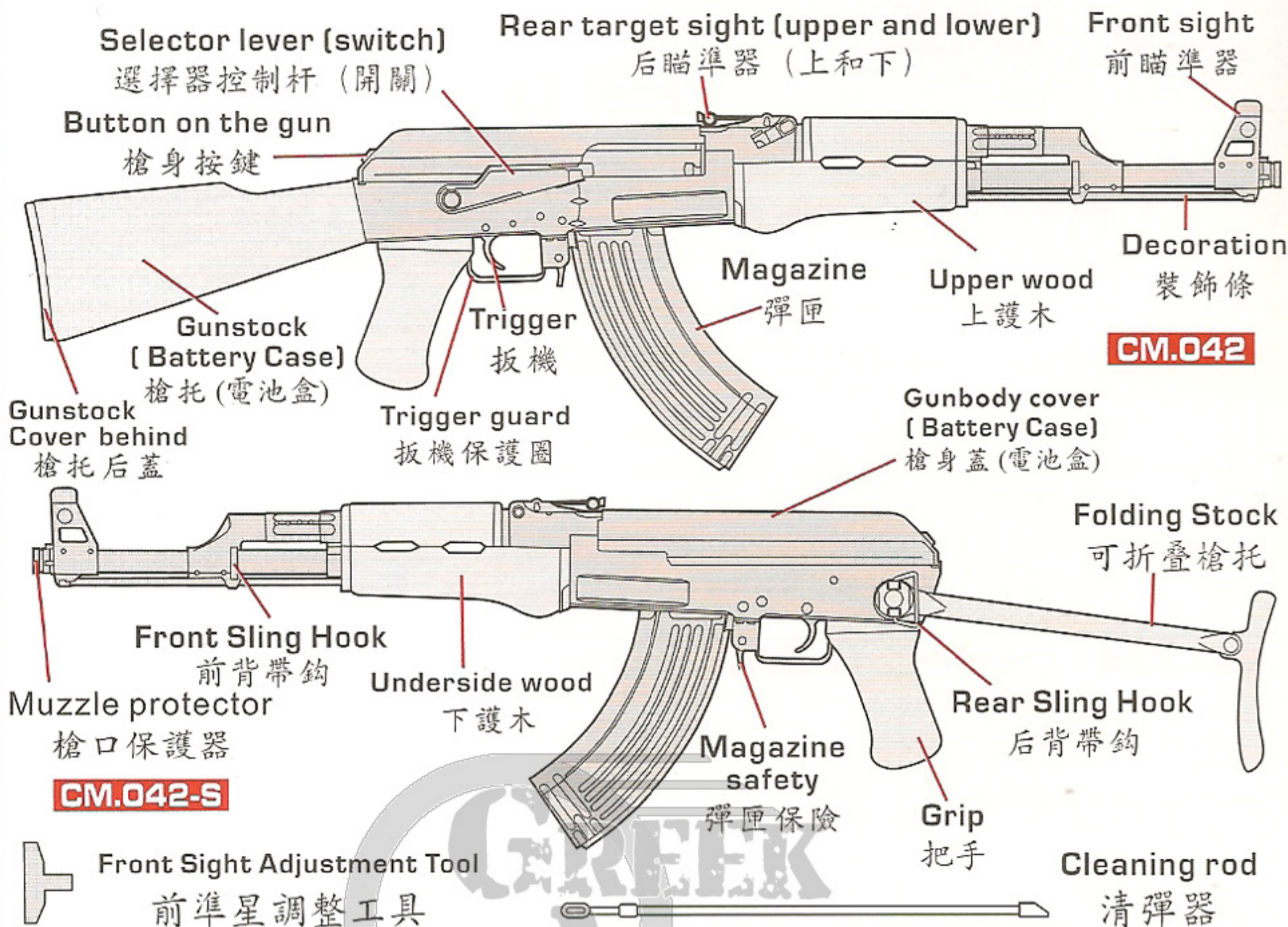
- **8.4V Ni-MH Battery Pack**
8.4V 鎳氫電池
- **Exclusive Charge for Ni-MH Battery Pack.**
8.4V 鎳氫電池專用的充電器

CAUTION The SD and Mini Battery can not be used.
注意 不能使用SD和小類型的電池。

- Use the specified battery charger which is applicable to the above battery. The charger Exclusive Type ac Speed Charger.
使用上述電池專用充電器。
- The battery's capacity power is increased with use of the Exclusive (battery) Discharger(Sold separately)
使用專用的電池充電器會增加電池的能量。(有單獨銷售)
- Use the correct battery and charge according to respective instruction manuals. We will not be held responsible for any accidents or damage caused by wrongful operation or usage of non-specified batteries.
請根據使用手冊使用標準的電池和充電器。如果沒有按照說明書操作或者使用非專用的電池而引起的事務或傷害，我們將不負任何責任。
- Discharge the battery completely before charging it for the first time and the charging time is 12 hours.
- Battery charging time is about 8 hours, do not extra to avoid the over-charge.
- The temperature can't over 45° during charging or will damage to the battery.
- 在第一次充電前，先將電池余電放淨，充電時間為12小時。
- 電池充電需要8小時左右。不要超過這個時間，以免過度充電。
- 在充電過程中請注意電池溫度不得超過45度，否則將損壞電池。

2 THE NAME OF THE PARTS (For details, see the following pages.)

各部件名稱 (具體請參照下面)



CM.042

CM.042-S

3 Selector lever and safety setting 選擇控制杆和安全裝置

CAUTION 注意

Set the selector lever correctly in position; otherwise, malfunction may occur.
將選擇控制杆設置在正確的位置，否則將會發生故障。

WARNING 警告

- To prevent malfunction of the switch do not change the selector lever from semi to full auto while pulling the trigger.
為防止開關發生故障，在按扳機時，不要將選擇控制杆從半自動改到全自動。

1 Safety setting (the trigger cannot be pulled.)
安全裝置 (不能按下扳機)
When you are not firing the gun or during storage always set the selector to the safe position.
當你不射擊或在裝子彈時，請將選擇器設置在安全位置。

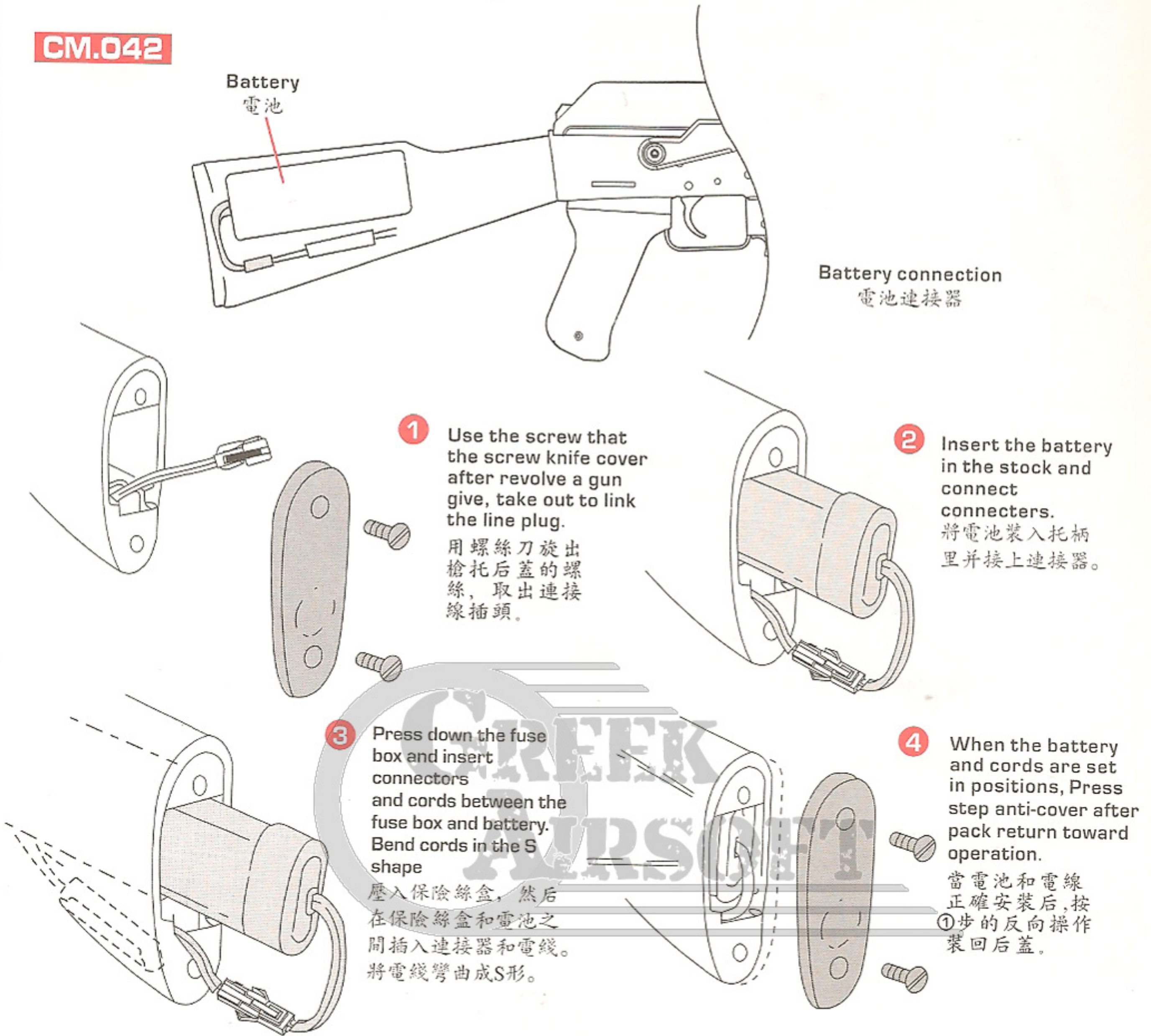
2 Fully automatic (automatic firing)
全自動 (連擊)
The gun will fire automatically while the trigger remains pulled.
按緊扳機，氣槍將自動射擊。

3 Semi automatic
半自動
The gun will fire one shot each time the trigger is pulled.
每按一次扳機，氣槍將發射一發子彈。

4 Setting the Battery (Set the battery after charging)

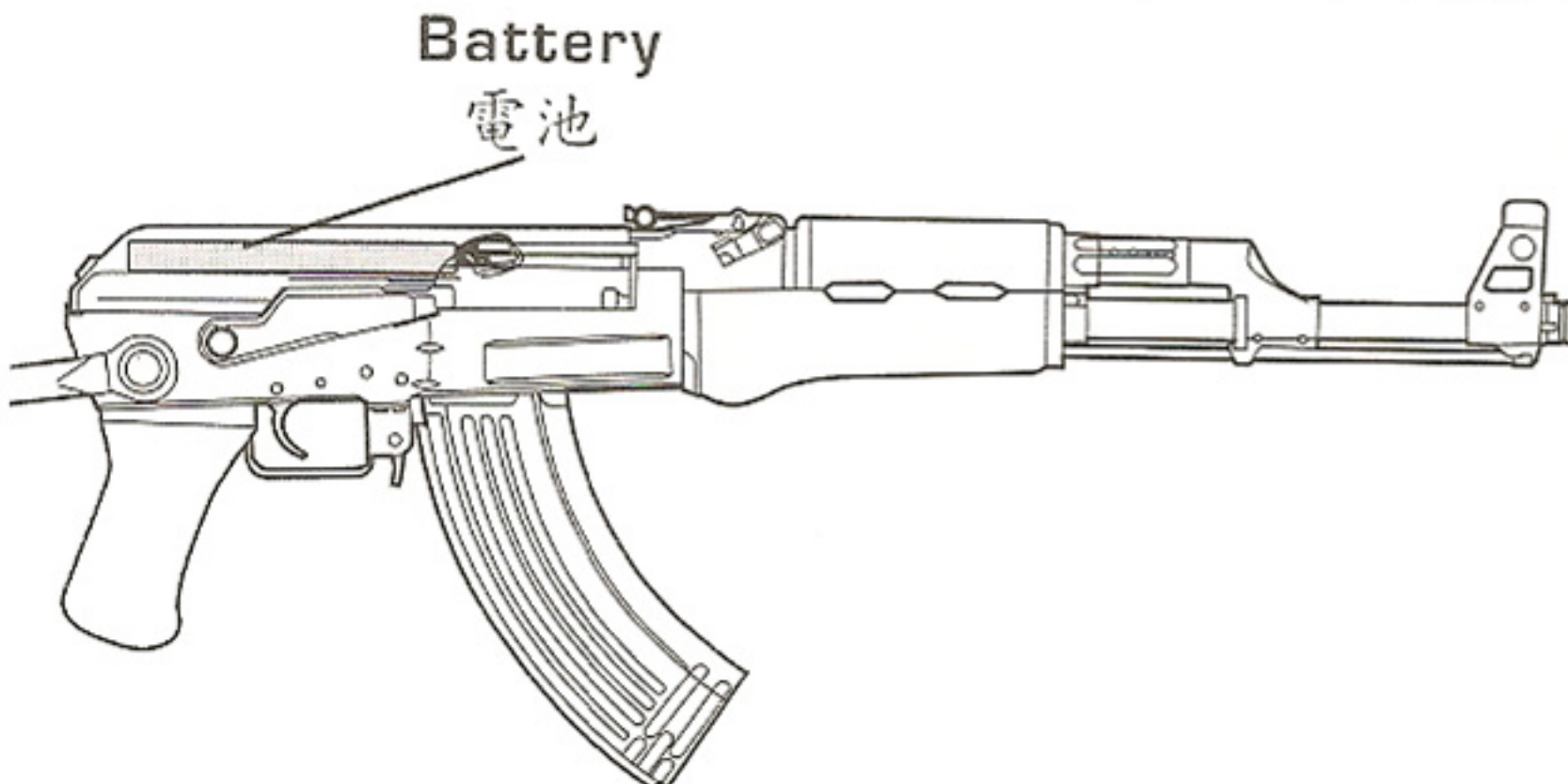
安裝電池(用充電器先把電池充滿)

CM.042



CAUTION
注意

- Attach the protective cap to the muzzle and direct the muzzle towards a safe direction. (Always set the selector lever to the Safety position.)
蓋上保護蓋并把槍口朝向安全的地方。(確保選擇器控制杆調在安全位置)

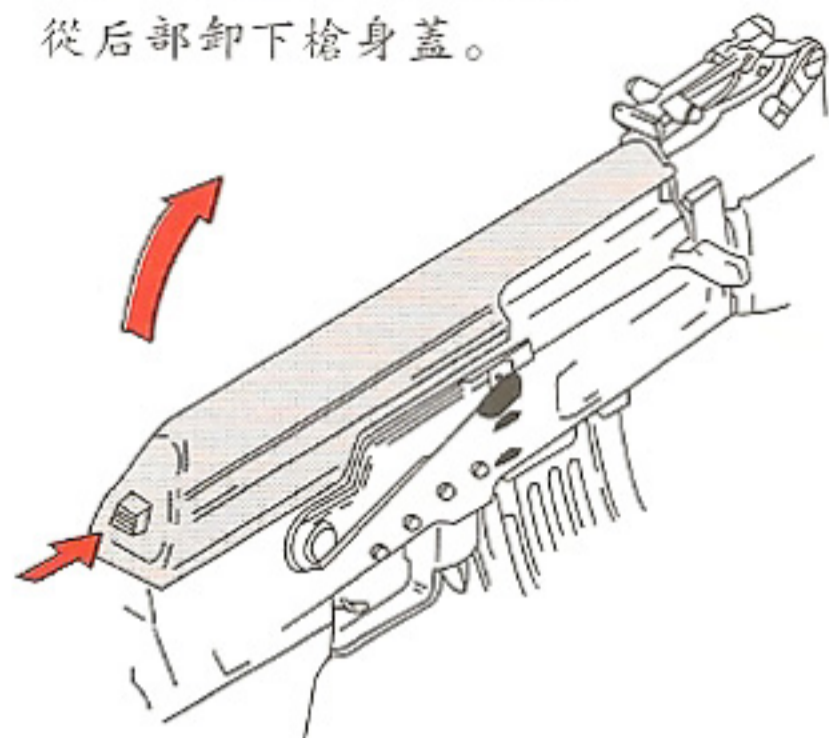


CM.042-S

Always use the exclusive 042 type battery (8.4v, 1200 mAh) for the CM.042-S.
型號為CM.042-S 要使用CM.042-S型專用電池(8.4v 1200 mAh).

- ① Remove the receiver from its rear while pressing the receiver top catch button.

按下槍身蓋頂部的按鈕，從後部卸下槍身蓋。



- ② Connect the battery to the cord that is accessible from the hole under the rear sight. Press in the battery with its protrusion facing to the left.

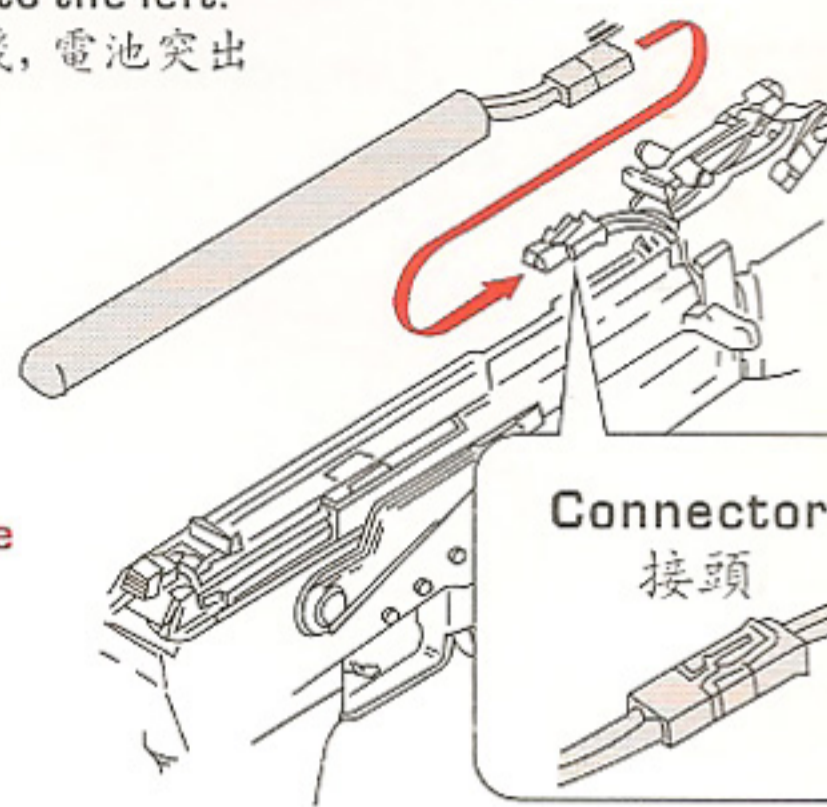
將電池接在後端孔伸出的綫，電池突出部分朝向電池左邊并按下。

- Battery Sectional View
電池裝配示意圖



The protrusion must be on the left side.

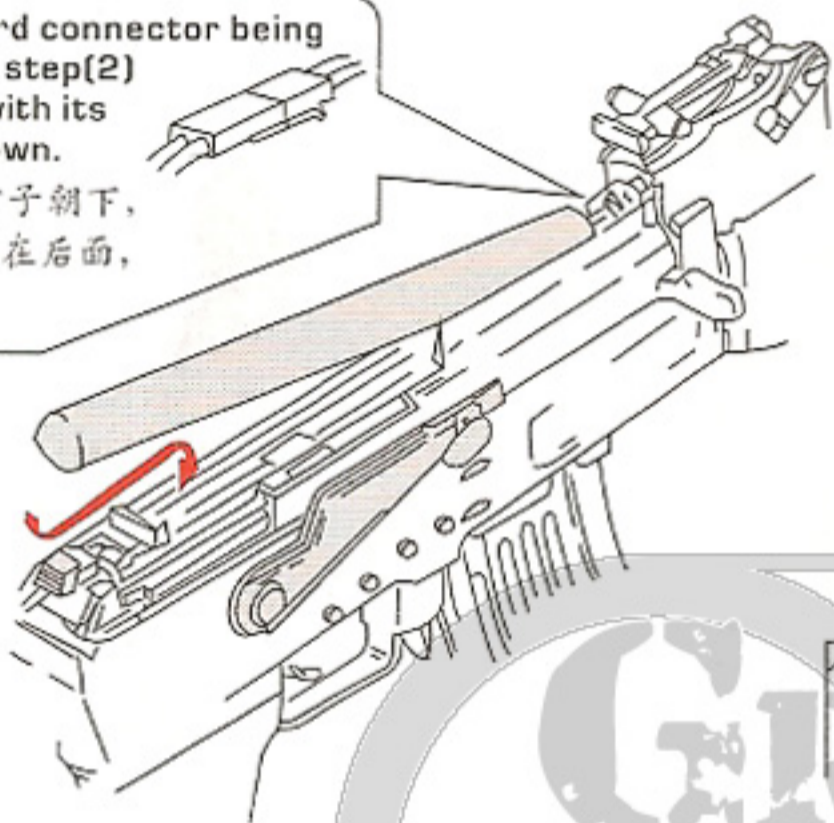
突出部分必須置于在左邊



Connector nail
接頭

- Press the cord connector being connected in step(2) to the rear, with its nail facing down.

如步驟(2)，釘子朝下，將綫的接口接在後面，按下綫接口。



- ③

Store the battery in the receiver as shown. (Set the battery so that it does not protrude.)

如圖所示，將電池裝進槍身里。(電池不突出為安裝完成)

- ④

Reinstall the receiver top in the reverse order of removal procedure in step(1). Align the lead edge of receiver top to the groove under the rear of receiver top, aligning to the groove shown below.

按步驟1的卸槍身蓋程序的相反順序重新安裝槍身蓋，槍身蓋的邊和槽邊對齊，按槍身蓋後邊。

CAUTION

▲ 注意

When receiver top is set correctly, the catch button ejects out.

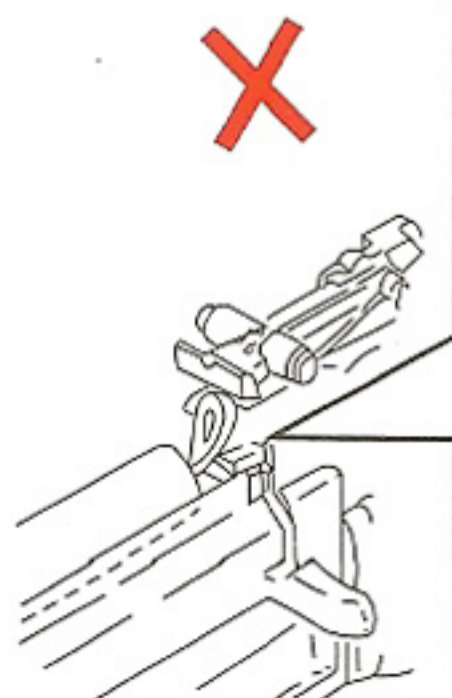
當按鍵彈出時，表示槍身蓋安裝正確。

CAUTION

▲ 注意

If the cord protrudes, the receiver gunbody cover be closed.

如果綫突出，槍身蓋就無法合上。



- Store the battery and connector as shown.

如圖所示，安裝電池和接頭。

Battery
電池

Connector nail 接頭

For easy positioning, locate the battery cord under the connector.

為了方便安裝，電池綫放在接頭下面。

CAUTION

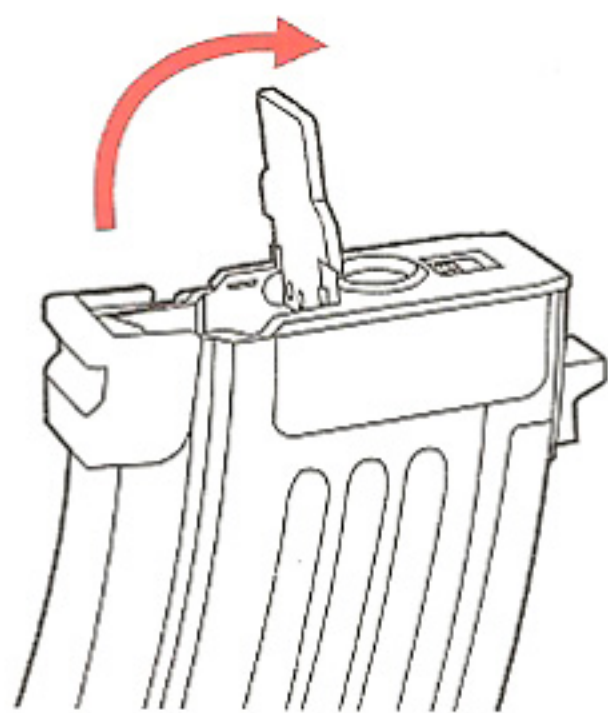
▲ 注意

Pay attention so that the cord does not protrude out of the receiver. Forcing in the receiver top may damage the cord and, if the cord is protruding, the receiver top cannot be closed.

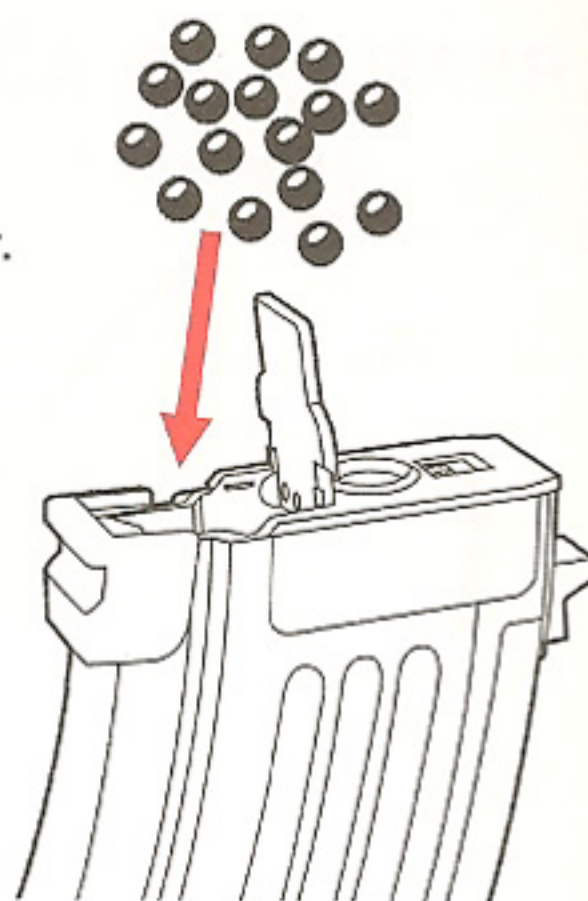
確保綫不要露在槍身外或擠壓在槍身蓋頂部，這會使槍身蓋無法合上或導致綫損壞。

5 SETTING THE MAGAZINE 安裝彈匣

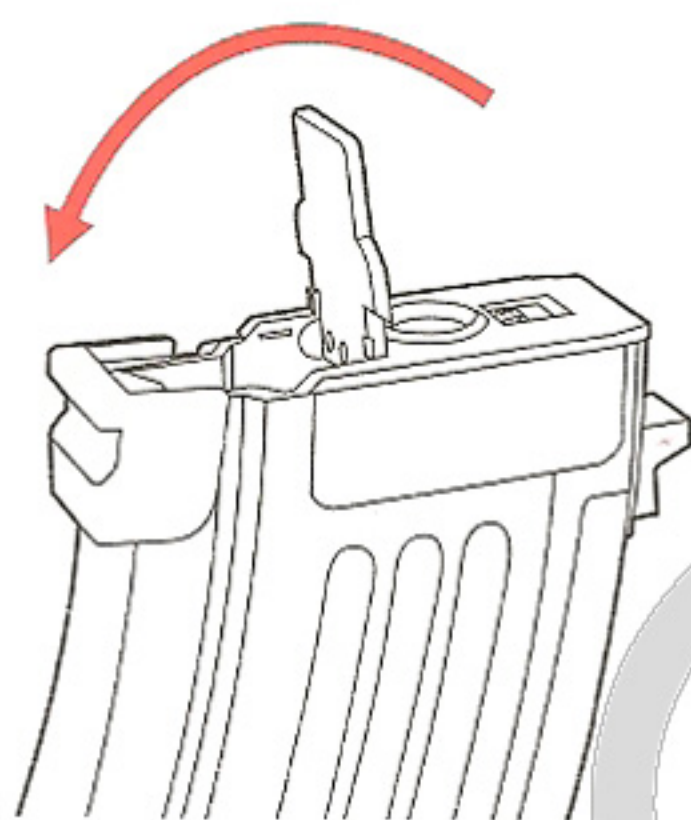
- 1 Open the cover of the magazine
打開彈匣蓋。



- 2 Insert 6mm BB bullets into the loader.
(600 bullets can be loaded)
將 6mm BB 彈裝入彈匣。
(可裝入 600 發 BB 彈)

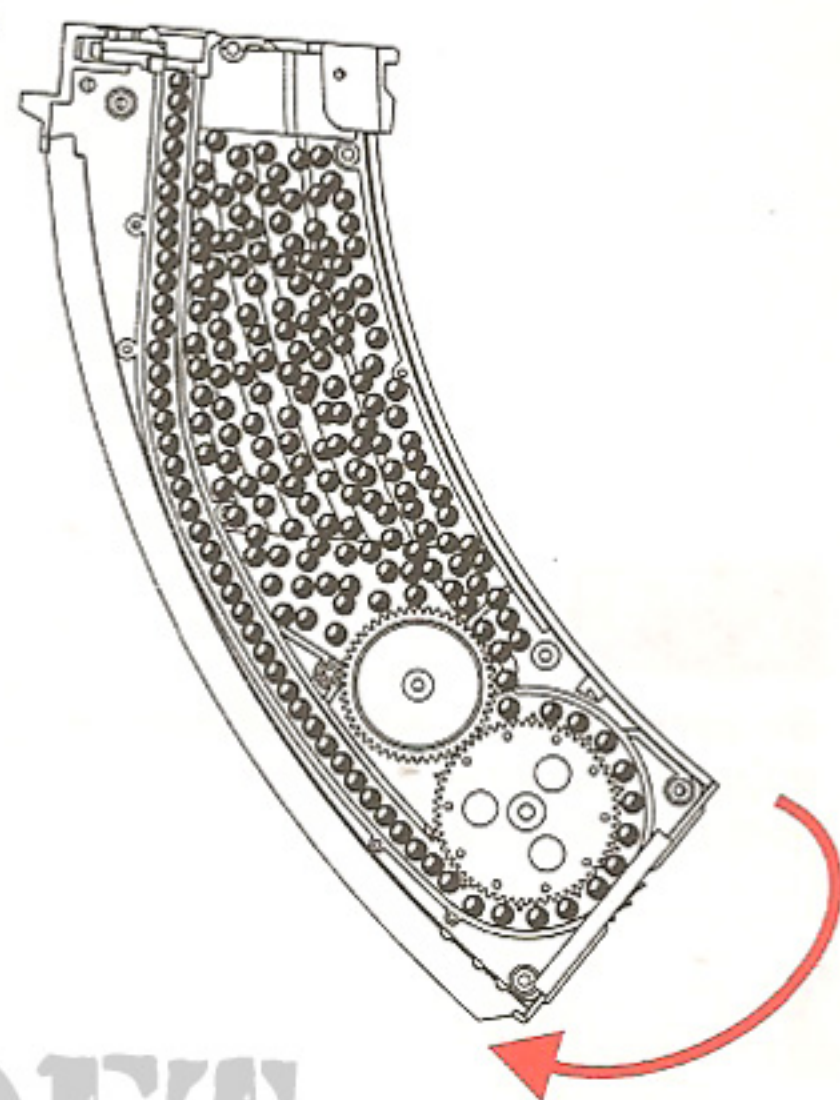


- 3 Replace the magazine cover.
蓋上彈匣蓋。



- 4 Move the gear with hand clockwise until it is fully wound, and the bullets will be sent up automatically.
(It can send about 150 rounds automatically)

以順時針方向拔動牙輪，直到上滿鏈，子彈就會自動往上送。(能自動送彈約 150 發)



CAUTION

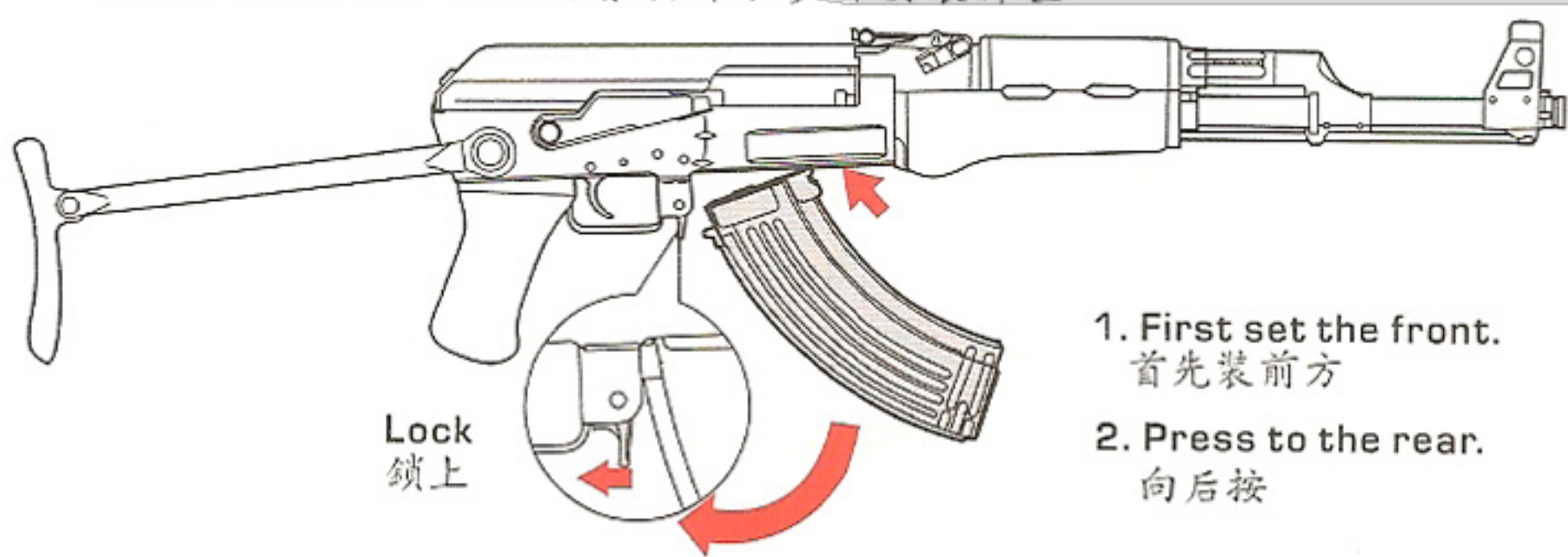
注意

The magazine is capable of containing 600 BB bullets.
彈匣可裝 600 發 BB 彈。

GREEK
AIRSOFT

- 5 Set the magazine upward. Install the magazine as illustration.

從上方安裝彈匣。可以按箭頭所示步驟安裝彈匣。

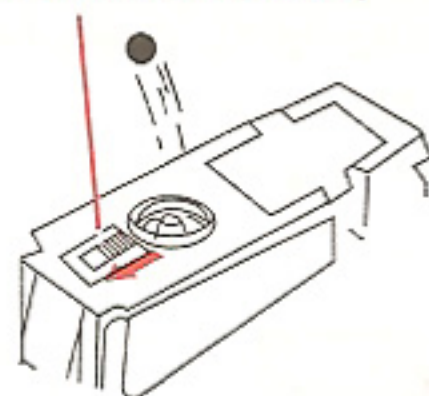


Lock
鎖上

1. First set the front.
首先裝前方
2. Press to the rear.
向後按

3. Press the release lever towards the trigger to lock.
朝扳機方向按下并鎖定。

Magazine stopper relief rib.
彈匣自動裝置解除鈕。



Slide the rib in the arrow direction to remove remaining BB bullets. (Be careful since BB bullets may jump out.)

按箭頭方向移動按鈕取出剩餘 BB 子彈。(小心 BB 子彈可能會跳出)

CAUTION

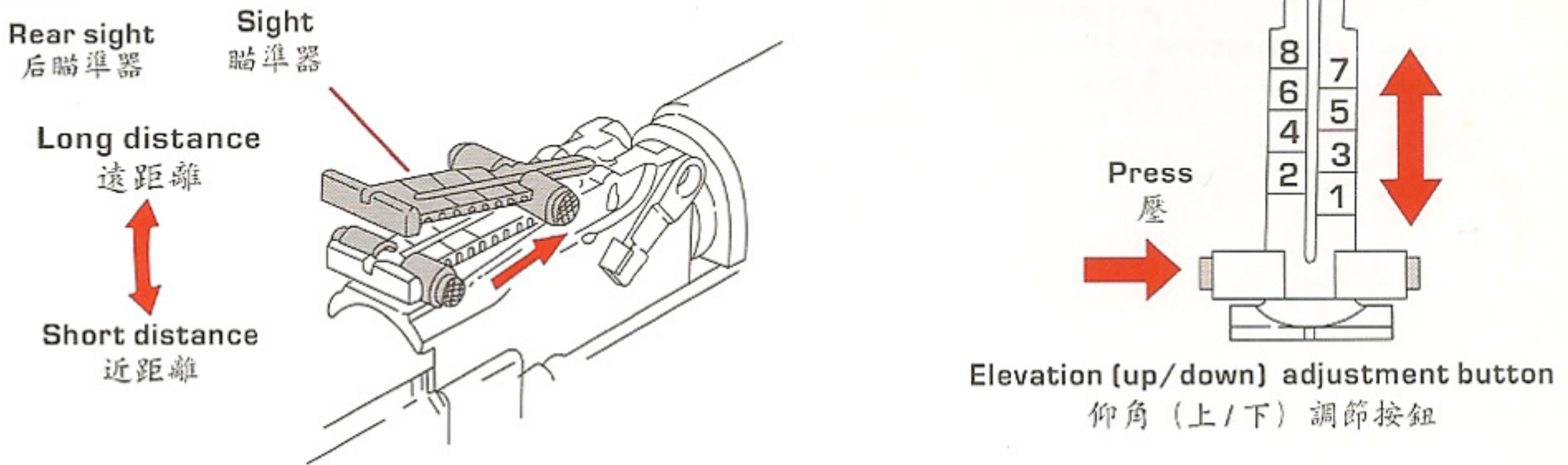
注意

- Always use the BB Bullets for the air gun. We shall not be held responsible for any damage or accidents arising from the use of bullets supplied by other manufacturers.

這種氣槍只能使用 BB 子彈。如果使用其他供應商提供的子彈而引起的損害和事故，我們將不負任何責任。



6 REAR SIGHT ADJUSTMENTS 后瞄準器的調節



The 042 series rear sight is a tangent type which is adjusted vertically according to distance to the target.

042系列氣槍的后視屬於相對獨立的類型。它是根據目標的距離垂直方向調整的。

Press the adjust button and slide it forward or backward to move the sight up or down. The larger the number, the longer the distance to the target.

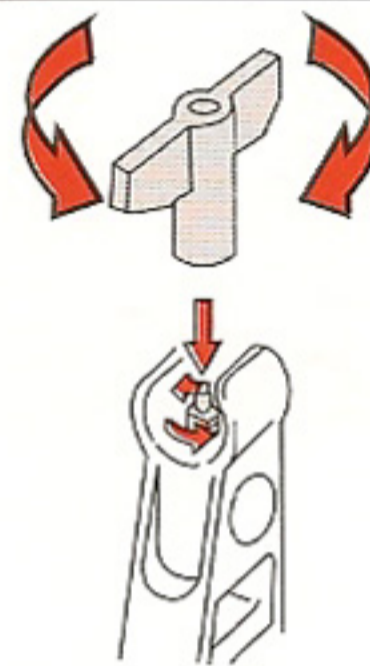
按下調整按鈕向前或向后滑動以調整視野，數字越大，距離目標就越遠。

- Insert the front sight adjustment tool in the front sight and turn it for adjustment.
將前準星調整工具插進前準星里，然後轉動以作調整。

CAUTION
⚠ 注意

Be careful so as not to loose the adjustment tool.
注意不要鬆開調整工具。

Clockwise:
higher sight point
逆時針方向:
提高瞄準點



Counterclockwise:
lower sight point
順時針方向:
降低瞄準點

7 Stretch parts 可移動的部件

WARNING
⚠ 警告

- Be careful so that your skin and fingers do not get caught in the folding parts.
小心你的手指和皮膚不要被折疊的部件傷到。

CAUTION
⚠ 注意

Always press the stock lock button to open or close the stock.
開關槍托要按下槍托鎖定鍵。

CM.042-S 類型氣槍可以折疊放在槍下方。

CAUTION
⚠ 注意

Avoid applying excessive force to the stock bar.
避免重力壓在槍托上。



REMOVAL OF MULTI PROTECTOR 多功能保護器的拆卸

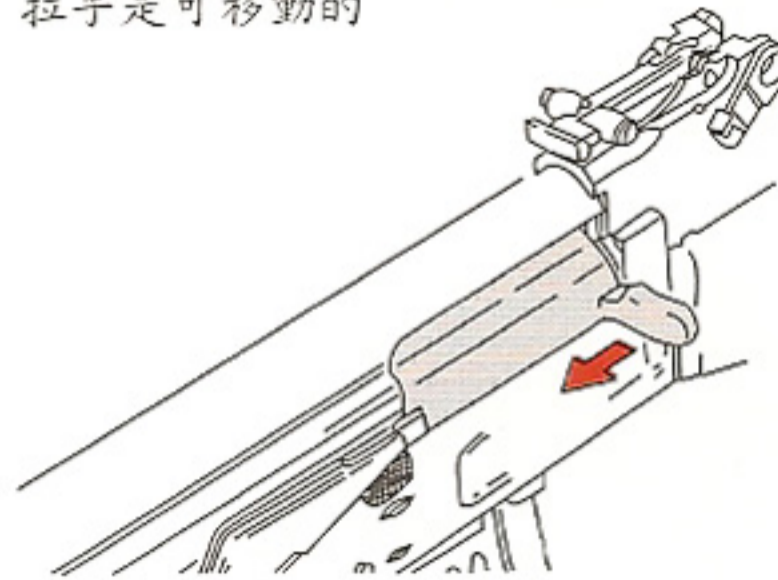
- ① While pressing the lock button.
按下鎖定鍵

The multi protector is fixed by reverse thread as in the case of the real gun.
與真槍一樣，多功能保護器是用反向線固定的。

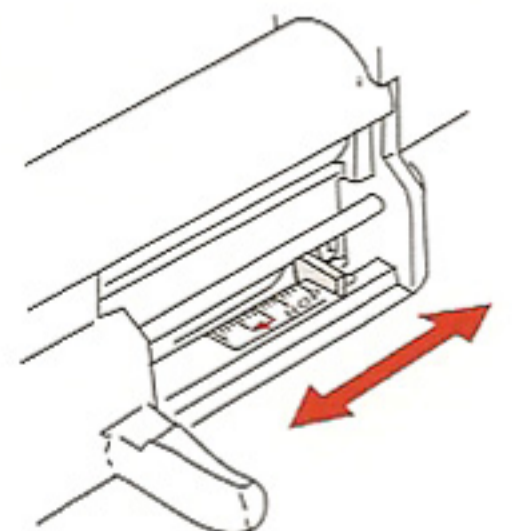


- ② Remove by turning the multi protector.
旋轉多功能保護器

The cocking lever can be moved.
拉手是可移動的



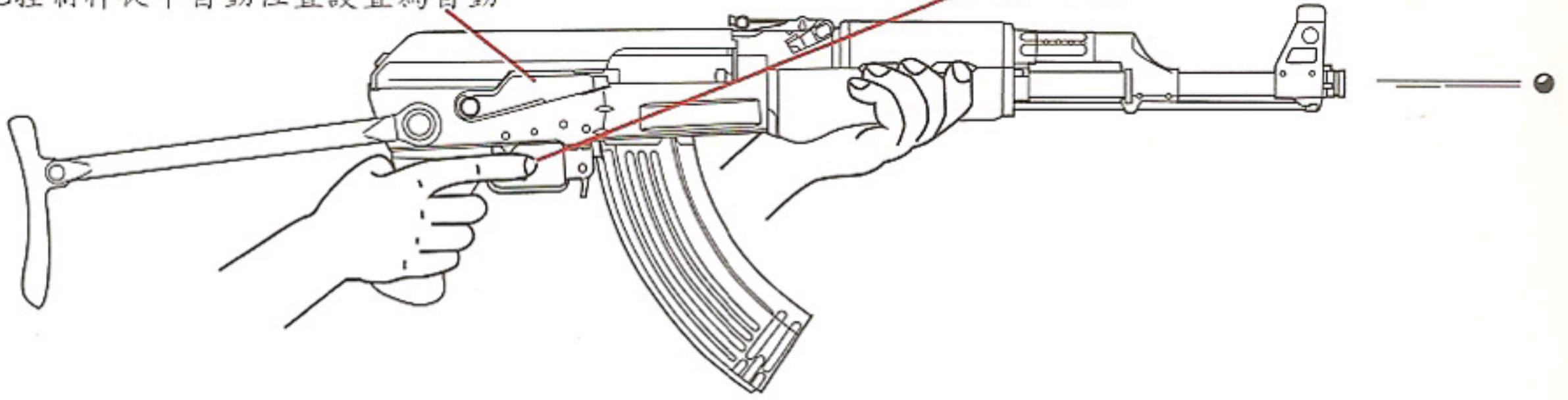
Variable hop-up adjustment lever
可變化的跳動調整杠



8 Firing (Confirm your shooting area is safe before beginning firing.) 射擊 (射擊前，確保射擊地方是安全的)

① Set the selector lever to Semi or Full Auto.
把控制杆從半自動位置設置為自動

② Pull the trigger.
按住扳機



CAUTION A blank firing may occur after triggering after the magazine, this is the normal operation of the gun.
注意 當在你裝上子彈開始射擊時，可能會有空白的射擊，這是屬於槍的正常的情況。

CAUTIONS ON MOTOR AND BATTERY 發動機和電池使用注意事項

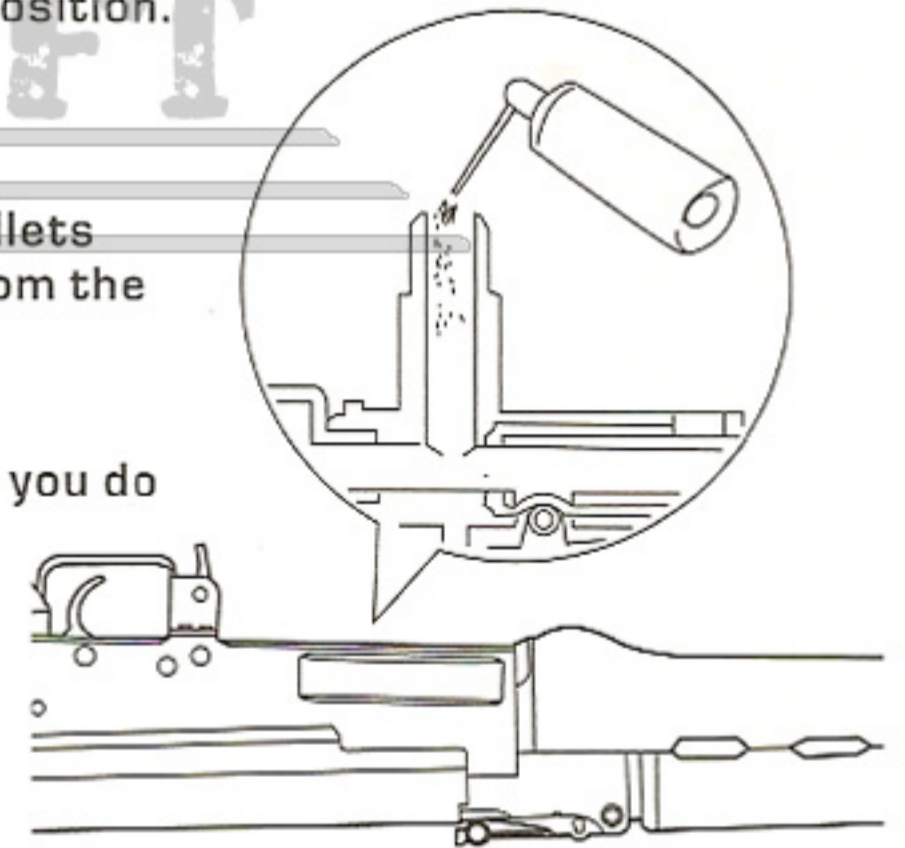
- Charge the battery if the firing cycle becomes slow.
當射擊速度變慢，請充電。
- Give the air gun a rest for 5 to 10 minutes after firing about 500 rounds, in order to ensure long service lives of the motor and battery.
為了確保發動機和電池的壽命，在射擊500輪后，給氣槍5-10分鐘的間歇。

WHEN BULLETS ARE CLOGGED 當子彈阻塞時，應採取的措施

- If bullets are clogged, remove them and apply a few drops of silicone oil in to the chamber from the magazine entrances shown or spray silicone oil for 0.5 or 1 sec, to obtain smooth continuous.
假如子彈阻塞，把子彈取出來，為了以后順利的射擊，請從子彈匣的入口處往槍膛滴上或噴上幾滴潤滑油。

AFTER OPERATION 使用之后

- Remove the magazine and dry fire the gun in the semi auto mode directing the muzzle to a safe direction. (Otherwise the spring may be weakened). Set the selector to the Safe position.
把子彈匣取出，在半自動的模式下，把槍對着安全的地方射擊。(否則，彈簧彈性可能會變弱)，把選擇器調到安全 (safe) 這一檔。
- Bullets may remain in the chamber even if the magazine contains no bullets (or if the magazine is not connected) (Two or three bullets may drop from the magazine, this is the normal operation of the gun.)
即使彈倉里沒有子彈，(或彈倉被取出后) 子彈也可能會留在槍膛里。
- Always disconnect the battery and attach the protective cap whenever you do not operate the air gun.
當你不用氣槍時，必須斷開電池。
Always attach the protective cap during storage



CAUTION 注意

- There are possible cases that no firing occurs after pulling the trigger in the semi-auto mode. In this case, do not pull the trigger furiously. Fire 5 to 6 shots in the full auto mode and then return to the semi auto operation.
在半自動的狀態下，有可能你按住扳機之后，子彈沒有射出來。遇到這種情況，不要猛烈地按住扳機，在全自動的狀態下，射擊5到6發，然后再調到半自動的狀態下嘗試。
- Smell may be generated from motor for a while when a new air gun is operated. This is the normal operation of the gun.
剛開始使用新氣槍時候，可能會有一股味道，這股味道是電機運轉時產生的，這種情況屬於正常現象。
- The hopping up operation may be unstable for 200 to 300 rounds after using silicone oil, this is the normal operation of the gun.
使用潤滑油之后，槍支的前200到300發可能不太穩定，這種情況屬於正常現象。

9 TROUBLE CLINIC(TROUBLE SHOOTING)

故障診斷(維修之前請確認是否發生故障)

SYMPTOM 症狀	CAUSE 原因	ACTION 方法
No operation at all 無法操作	Select or is set to safety. 選速(器)杆調在安全這一檔(Safety)	Set the selector lever to Semi or Full Auto. 把選速(器)杆調在半自動或全自動檔
	Battery is not charged. 電池沒有電	Charger the battery. 給電池充電
	Battery connector is disconnected. 電池連接器被斷開	Connect the connector. 連接連接器
	The ⊕ and ⊖ or battery connector is revers. 電池的正負極連接器倒置	Connect the connector correctly. (check the fuse) 正確連接連接器 (檢查保險絲)
	Fuse is blown out. 保險絲爆裂	Relace the fuse. (See page 8) 重新換上保險絲 (見8頁)
	Expired motor life (50,000 to 60,000 rounds) or poor electrical connection. 50,000到60,000發時, 馬達壽命可能耗盡或電線連接老化。	Replace the motor (purchasing from your dealer or us) or check and repair the contacts 換新的電機 (可向經銷商或我們購買), 或者仔細檢查和修理電線接觸點。
Although motor is removing, bullets jump out. 電機沒有發生故障, 但子彈無法正常發射。	Bullets are clogged in the magazine. 子彈阻塞在彈倉里	Insert the charging rod into the magazine and move up and down a few times to remove clogged bullets. 用裝載杆插進彈倉里, 上下移動幾次, 把阻塞的子彈移出。
	Bullets are clogged in the chamber. 子彈阻塞在(槍)膛里	Remove clogged bullets using the cleaning rob. 用(槍枝的)清彈器把阻塞的子彈取出
	Faulty gear. 齒輪壞了	Purchase the replacement gear from your dealer and repair. 向經銷商購買新的齒輪后進行維修
Impossible full-auto operation. (Automatic firing) 不能連發(子彈無法射出)	Insufficient battery power. 電池電量不足	Charge the battery. 給電池充電
	Faulty bullet feed of magazine. 彈倉里的子彈裝錯	Repair clogging the magazine. 清理彈倉里的堵塞物
Impossible semi-auto operation. (Single shot) 不能單發	Poor electrical connection. 電線連接不好	Consult your dealer or us for overhaul maintenance or repair. 向經銷商諮詢如何維修
	Deviation in gear timing. 齒輪調配偏差	Set to semi auto firing 5 to 6 rounds in full auto. 在全自動這一檔射擊5到6次后調到半自動檔

Use of poor quality BB bullets will cause problems. Never disassemble or modify the gun.
如使用低質量的BB彈將出現問題。不要拆卸或修改槍支。

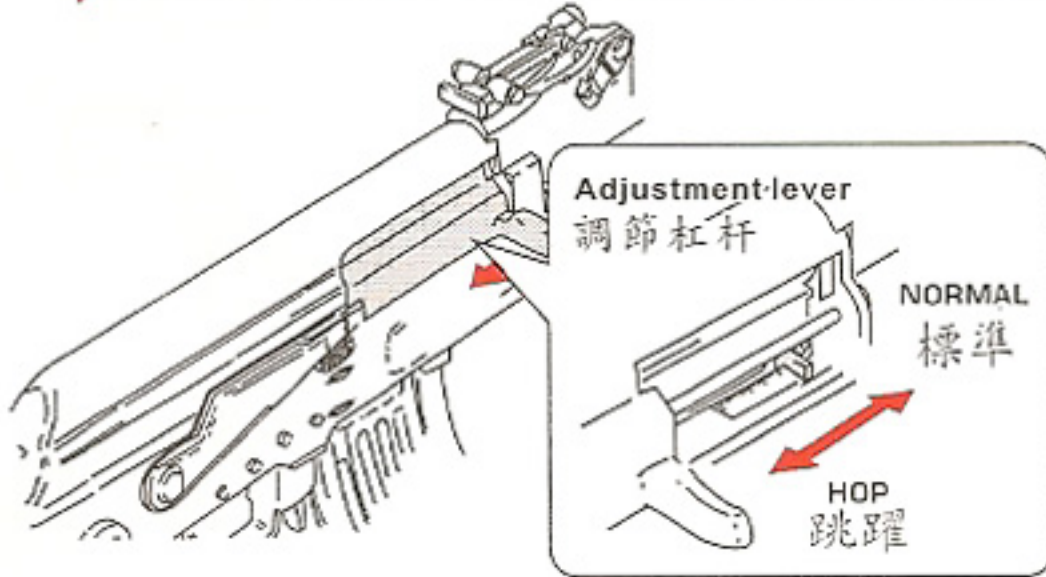
SYMPTOM 症狀	CAUSE 原因	ACTION 方法
Impossible semi-auto operation. (Single out) 不能半自動操作	Insufficient battery power. 電池電量不足	Charge the battery. 給電池充電
Automatic firing become shorter. 連發射擊變慢	Insufficient battery power. 電池電量不足	Charge the battery. 給電池充電
Shooting distance become shorter. 子彈射程變短	Worn or damaged chamber packing. (槍)膛材料太舊或壞了	Consult your dealer or us for overhaul maintenance or repair. Replace the chamber packing, piston packing (O-ring) and piston assembly. 向經銷商諮詢如何維修,重新換上槍膛材料, 活塞材料(O形圈) 和活塞組裝件。
	Worn or damaged chamber packing. (O-ring) 槍膛材料(O形圈) 太舊或壞了	
	Deteriorated piston spring. 活塞彈簧損壞	
	Faulty BB bullets.(Too small or heavy) BB子彈不合格 (太小或太重)	Use the genuine BB bullet 使用質量合格的BB彈
	Faulty gear. 齒輪壞了	Purchase the replacement gear from your dealer and repair. 向經銷商購買新的齒輪后進行維修
Too loud operating noise. 噪音太大	Gear problem caused by too many blank firing. 太多的空白射擊導致齒輪出現問題或者齒輪老化或損壞。	Consult your dealer or us for overhaul maintenance, part replacement (gear, etc) or repair. 向經銷商諮詢如何維修, 零件替換 (齒輪等)
	Gear problem caused by too many blank firing. 太多的空白射擊導致齒輪出現問題。	
Bullets being fallen out from barrel end. 子彈從槍管頭彈出	Worn or damaged chamber packing. (槍)膛材料太舊或壞了	Turn the hop adjustment lever toward HOP. 把調節杆調到HOP位置
	No hop setting. 沒有設置HOP	
	Faulty BB bullets (Too small) BB子彈不合格 (太小)	
Being wet or drop into water.(rain) 槍支弄濕或掉進水里 (雨淋)	Stop operation immediately, disconnect the battery, wipe off water from inside the main body and the battery, and after complete dry, carry out trial firing, if no operation or malfunction is detected, consult your dealer or us for repair. 立刻停止使用, 斷開電池, 把電池和槍支內部的主要部分擦干, 等槍支完全干了之后, 再嘗試射擊。假如無法使用或者發現故障。向經銷商或我們諮詢如何維修。	

10 VARIABLE HOP UP SYSTEM 可變化的Hop Up系統

By producing a back-spin on the BB bullets, this system allows for straighter and longer distance shooting than normal air gun. Unlike the fixed type, the variable hop up system permits one-touch adjustments using the dial and lever, making it an ideal hop up system.

通過使子彈逆轉，可以使射擊比一般的氣槍射得更直和更遠。不像其他的固定類型的氣槍一樣，可變化的Hop Up系統可以使用轉盤和調節杆來進行調整。

▶ Adjustment Procedure [Adjust by carry out trial firing] 調節程序 (通過試射擊來進行調節)



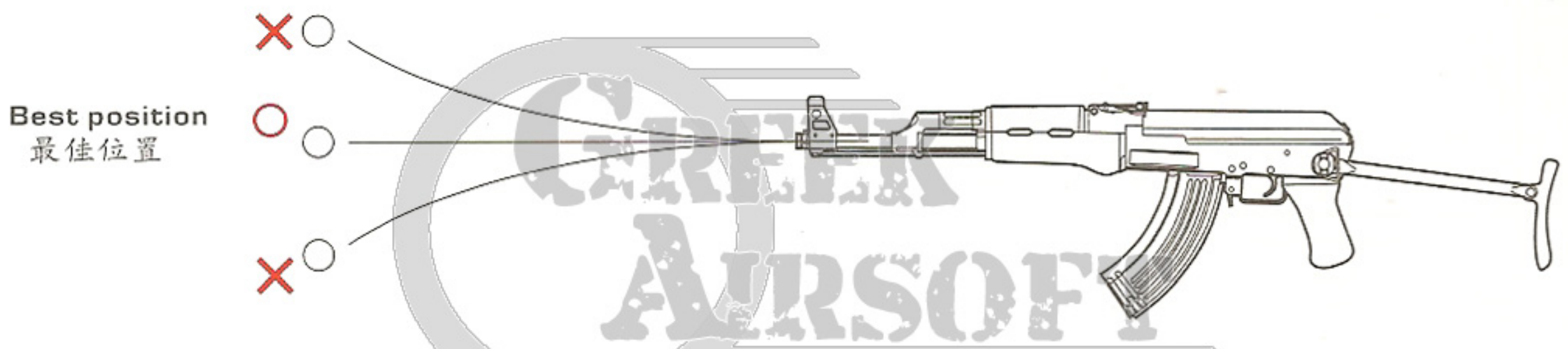
● Gradually turn the adjustment dial towards Hop to give hop up to bullets. (The best setting is where bullets fly horizontally.)
把調整鍵慢慢移向跳躍方向。(最佳設置為子彈水平方向射出)

● Turning excessively adversely affects the trajectory. So stop turning the hop adjustment lever when bullets fly horizontally.
向相反的方向用力的扭轉可能會影響到彈軌。因此，如果子彈能夠水平射出，就停止扭轉調節杆。

● The best position is where the bullets fly horizontally, and the longest flying distance is obtained.
最佳的位置是子彈水平方向射出，此位置使子彈達到最遠射程。

Too much hop-up (return the lever towards NORMAL)

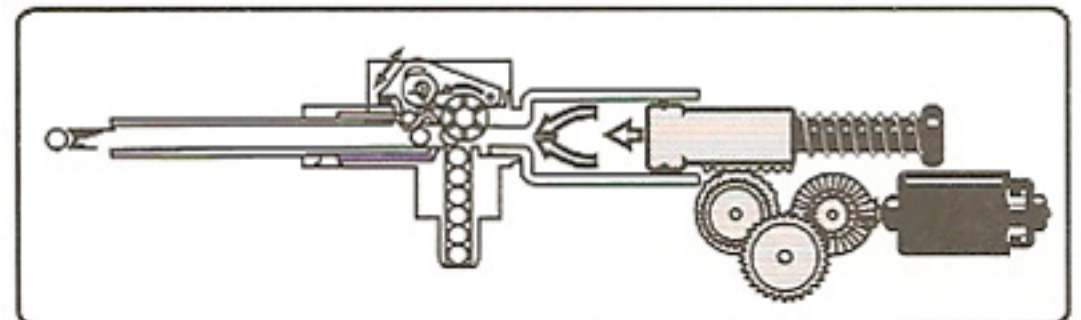
過度上旋 (將調節杆撥回正常位置)



Not enough hop-up (return the lever towards NORMAL)

上旋不到位 (將調節杆撥回正常位置)

● Construction Diagram 結構圖



OPERATIONAL CAUTION
(strictly observe the following caution)
操作注意事項: (要注意以下的事項)

● Moving the lever too much towards HOP causes bullets to clog. Firing the gun with clogged bullets damages the piston and gears.
調整杆過度調向跳躍方向會導致子彈堵塞，子彈堵塞的情況下射擊會導致活塞和齒輪的損壞。

● If bullet clogging occurs, immediately stop firing the gun, return the hop lever to the Normal position and remove clogged bullets using the cleaning rod.
如果子彈堵塞，請立即停止，把跳躍杆調至正常位置，用清彈器取出堵塞子彈。

● Make sure to return the hop adjustment lever to the Normal position when removing clogged bullets or cleaning. (Otherwise, the chamber packing is damaged.)
在取出阻塞子彈時或進行清潔時，要把hop調節杆調到正常的位置 (Normal) (否則可能會損害槍膛)

● Never use used or dirty bullets. (Otherwise, the chamber becomes dirty, resulting in unstable hopping up.)
不要重複使用子彈或使用臟子彈。(否則彈膛會變臟，從而導致跳躍的不穩定)

● When about 10000 rounds are fired, spray silicone oil into the chamber for 0.5 to 1 dec. (See 11 on page 8. The hopping up operation may be unstable for 200 to 300 rounds after spraying the silicone oil, this is the normal operation of the gun.)
射擊大約10000粒子彈，用硅油噴彈膛0.5-1秒。(在噴硅油后，200-300輪射擊的跳躍操作會不穩定，這種情況屬於正常現象)

● We will not be held responsible for any damage or accidents arising from wrongful operation, disassembly and modification of the gun. Any costs for repair of such damage shall be paid by the user.
由于錯誤操作、重組裝或改裝氣槍所引起的損壞或意外，我們一律不予負責，由此產生的維修費用由用戶自行承擔。

CAUTION
▲ 注意

- If the hop-up is adjusted excessively causing clogging of bullets, immediately stop operating the gun. return the lever to Normal, fire 2 or 3 shots and readjust.
假如hop-up過分地調整可能會導致子彈的阻塞，遇到這種情況，立刻停止使用，把調節杆調至正常射擊(Normal)狀態下，射擊2到3發，然後重新調整。
- Since a precision tight barrel is used, use of dirty bullets or those with burrs causes clogging of bullets and possible fatal damage to the mechanical box and system.
由于槍管非常精密，如果使用臟的子彈可能會導致子彈阻塞和很致命的損壞槍支。

WARNING
▲ 警告

- Never hold the gun side ways as the BB bullets will curve tight or left. This is due to the HOP-UP system.
不要從側面握住槍支進行射擊，因為BB子彈射出時可能會偏左或者偏右。



WHEN HOPPING UP IS IMPROPER 跳躍不正常現象

SYMPTOM 症狀	CAUSE 原因	ACTION 方法
Bullets flying upwards. 子彈向上飛	Too much hop setting. (hop) 設置太大	Gradually return adjustment lever towards Normal. 把調節杆逐漸地調到正常狀態。
Short flying distance of bullets (less hopping up effect). 子彈射程太短 (短于跳躍應有效果)	Too much hop setting. (hop) 設置太大	Gradually return adjustment lever towards Normal. 把調節杆逐漸地調到正常狀態。
	Hop packing contaminated by oil or dirt. Hop包裝被油迹或污垢玷污	Fire bullets equivalent to 4 or 5 magazines or clean the chamber using cleaning rod. 用(槍枝的)清彈器清潔槍膛
	Worn or damaged hop packing. Hop包裝太舊或被損壞	Purchase the replacement part at your dealer or from Marui and replace it. 向經銷商或我們購買所需配件，更換hop裝置
Cannot adjust 不能調節	Damaged adjustment lever or other parts. 調節杆或其他部件損壞	Purchase the replacement part at your dealer and replace it. 向經銷商購買所需配件，更換 hop 裝置
Frequent bullets clogging 子彈經常阻塞	Too much hop setting. (hop) 設置太大	Gradually return adjustment lever towards Normal. 把調節杆逐漸地調到正常狀態。
	Improper or too large sized BB bullets. BB彈不合適或太大了	Use the BB Bullets for Electric Gun. 使用標準BB彈
	Dirty hop packing. Hop包裝弄臟	Clean using the cleaning rod or consult your dealer for repair. 用(槍枝的)清彈器清潔或者向經銷商諮詢維修。

11 MAINTENANCE 保養

1. Fuse Replacement Procedure.
更換保險絲

The fuse box comes out when the connectors are pulled out of the stock.
當連接器從槍托里被拉出來時，也把保險絲盒拉出來。

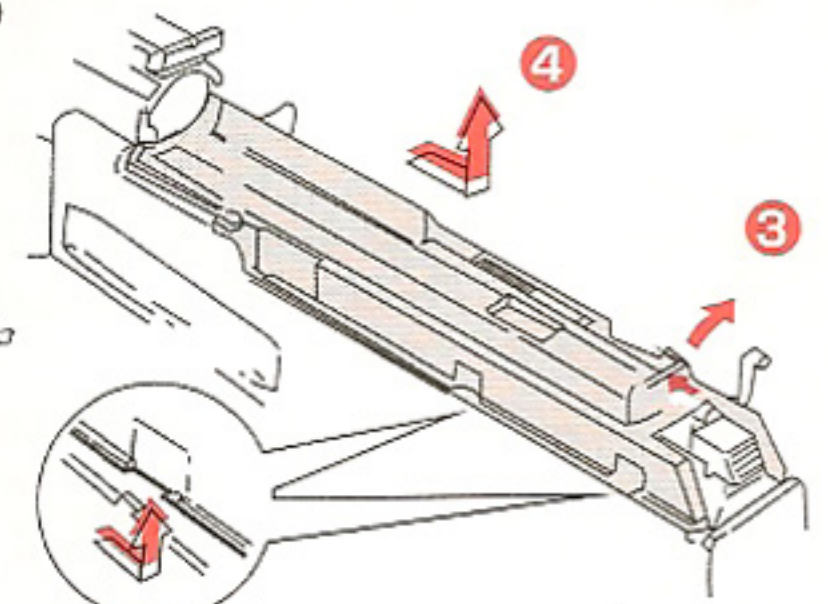
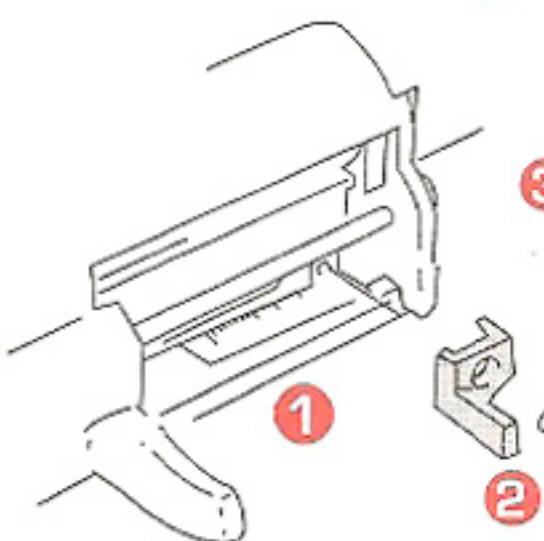


Fuse box (when fuse is replaced, push into the stock all the way.
保險絲盒[當更換好保險絲后，直接把它推進槍托里。]

Glass tube fuse 保險管
You can buy it at a near-by electric shop or gas station.
你可以在附近的五金店或電器店買到它。
20A Fuse common for electric gun series.
常用于電動槍系列的20A保險絲

CM.042-S

- 1 Remove the hop lever.
卸下跳躍杆
- 2 Remove the screw shown in the battery storage figure.
卸下電池放置區的螺絲
- 3 Remove the shaft from the receiver top catch button and set to the up-right position.
從槍筒頂部按鍵卸下軸，調整為向上位置。
- 4 Remove the cocking lever and battery storing section by sliding them to the rear. Since the engagement is in the wedge shape, carefully assemble after fuse replacement.
向左滑動卸下扳機杠和電池。由于交綫是楔形狀，導火綫重置時要小心組合。



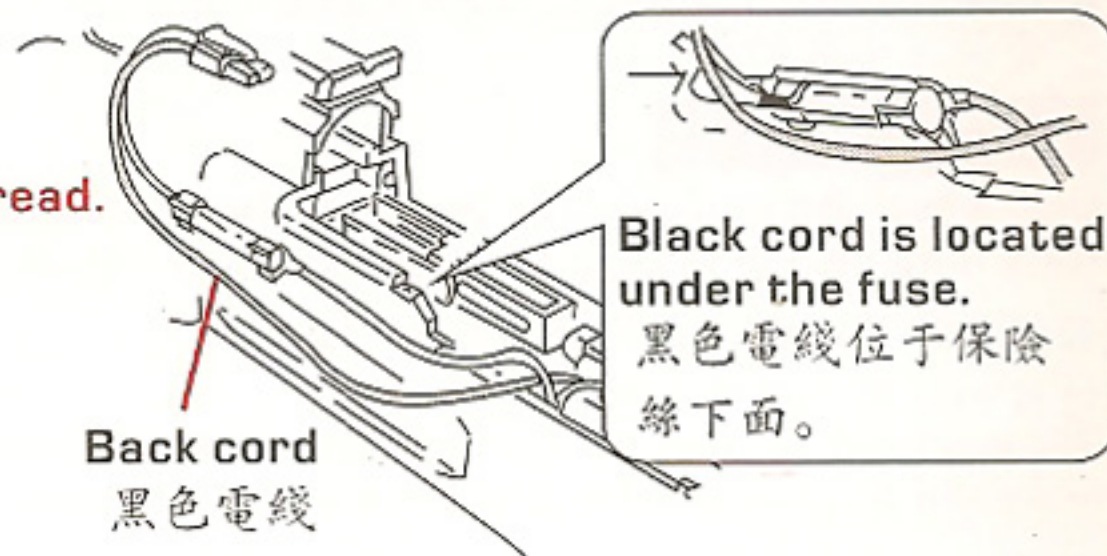
Same for the reverse side. 背面相同

CAUTION
⚠ 注意

Be careful so as not to loosen small parts.
Carefully loosen and tighten the screw so as not to damage the thread.
留意小零件的鬆動，為了避免線受損，小心鬆開或擰緊螺絲。

When installing the fuse, insert the black cord first and then the fuse with the fuse terminal mount facing outwards.

當安裝保險絲時，先插入黑色的電線然後將帶有保險絲接線端的保險絲朝向外。

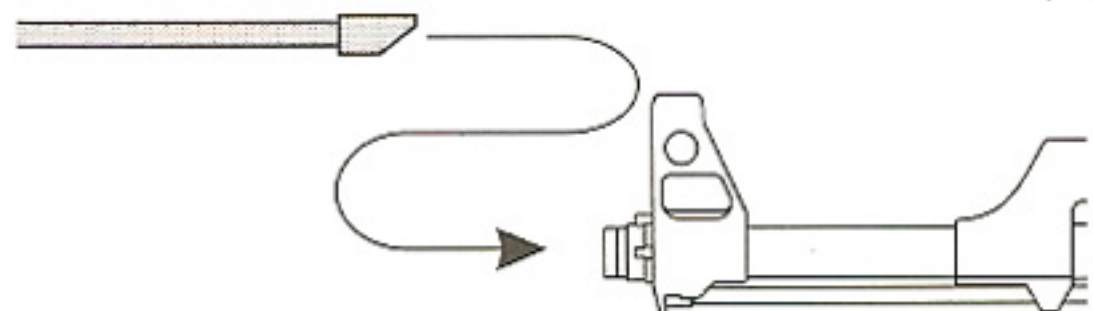


2 Remove the obstruct bullets

拆卸堵塞子彈

1 Insert the cleaning rod into the bore.

沿槍管的內邊緣插入清彈器。



2 Be careful so that the angled part of the cleaning rod faces down, and remove clogged bullets.

確保清彈器的角部分向下，並清除堵塞子彈。



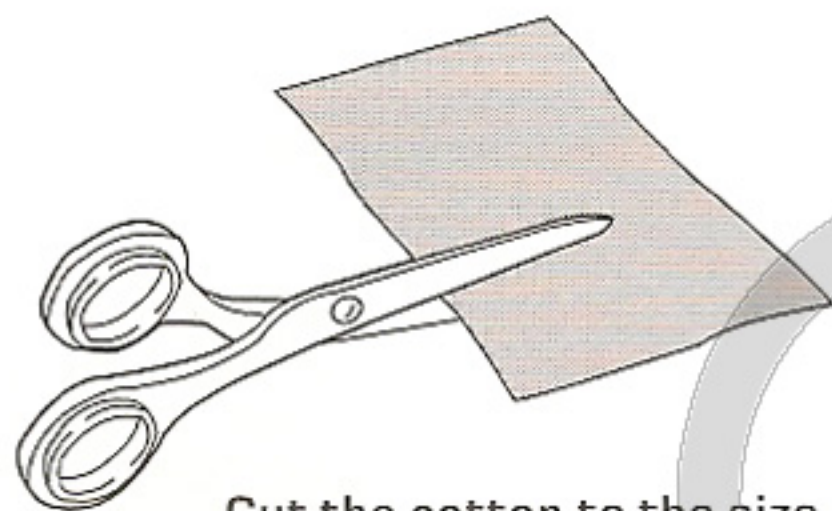
CAUTION 注意

Make sure to insert the cleaning rod AFTER returning the hop up lever to the Normal position. (Hop-OFF)
確保跳躍調整杠回復到正常位置才能插入清彈器。

CAUTION
⚠ 注意

The ornamental can not be used for cleaning the obstruct bullets.
附在氣槍上的裝飾條模型不能用于清除堵塞子彈。

3. Maintenance When Bullet Speed Become Low 當子彈速度變慢時怎樣維修



Cotton cloth 綿布
Width: Approx. 10mm 寬度: 大約10mm
Length: Approx. 25~30mm 長度: 大約25-30mm



Cut the cotton to the size shown. Adjust the length accordingly so that it can be inserted smoothly into the barrel. 將棉線剪成如圖所示的大小。適當地調整長度，以便于將其順利地插進槍管里。

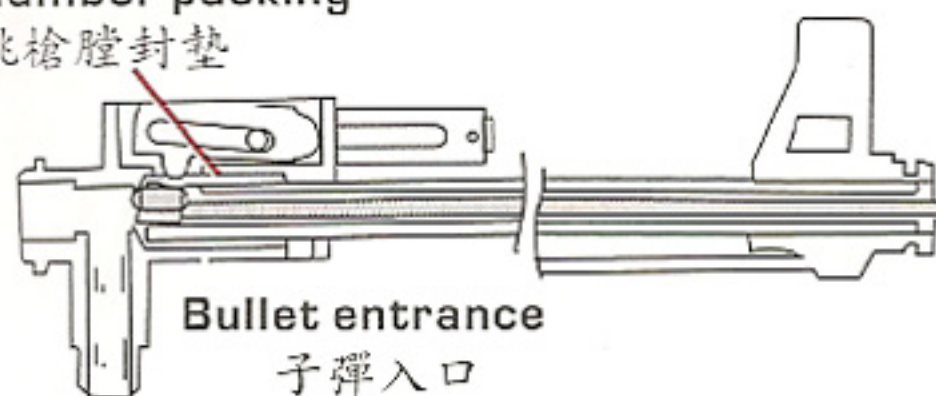


Hold at the leading end of the rod and insert the rod into the barrel while turning the rod.
當調節杆關閉時，握住杆杠的末端把它插入槍管里。

CAUTION
⚠ 注意

Inserting the rod will be difficult if you hold rod at the end.
假如你緊握清彈器的末端，清彈器插進去可能會很困難。

Hop chamber packing
彈跳槍膛封墊



Apply a few drops of silicone or Teflon oil.
滴幾滴硅樹脂或特氟油

- Drop a few drops of silicone oil or Teflon oil from the bullet entrance, insert BB bullets into the magazine and fire bullets equivalent to 1 or 2 magazine.
從子彈的入口處滴幾滴潤滑油。把BB子彈裝進彈倉，射擊1或2次。
- To complete the cleaning, use the cleaning rod (with cotton) as shown below, to remove excess oil.
使用槍支清彈器按照以下說明除去多余的潤滑油。

CAUTION
⚠ 注意

- Always carry out maintenance AFTER returning the hop up lever to the Normal position. (Hop-OFF)
- Since the chamber is a precision component, avoid use of used BB bullets.
- 在將上旋杆撥回正常位置后，才能進行維修保養。
- 由于槍膛是一個精確的部件，請避免使用用過的BB彈。

4. FINE ADJUSTMENT OF GEAR ENGAGEMENT

齒輪啮合的微調

⚠ CAUTION 注意

Only when the motor noise becomes high after operations for a long period of time, conduct the fine adjustment as shown.

若使用時間過長，電機發出很大的的噪音時，請按如圖所示對電機進行微調。

(Do not hold by the grip during adjustment. Otherwise, the main body will drop since the grip set screw is removed.)

在調整時不要握緊把手。否則，主體會因為固定把手的螺絲被取下來了而掉出來。

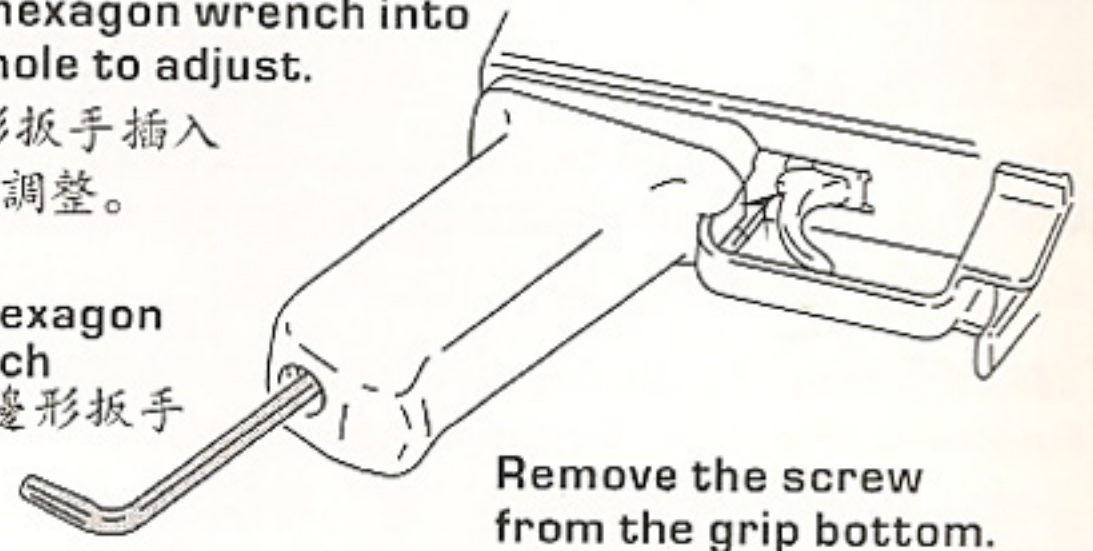
⚠ CAUTION 注意

- It is recommended to lock the adjustment screw by a screw locking agent or instantaneous adhesive after adjustment of the motor position is complete.
- Normally, do not attempt to adjust.
- Be careful as not to overly tighten the screw as it will damage the gun.
- 建議你在馬達位置調整完成后，使用螺絲釘固定器或瞬間粘合劑固定調整螺絲釘。
- 通常不要試圖隨便調整。
- 注意不要過度擰緊螺絲釘以免損壞氣槍。

Insert M4 hexagon wrench into the screw hole to adjust.

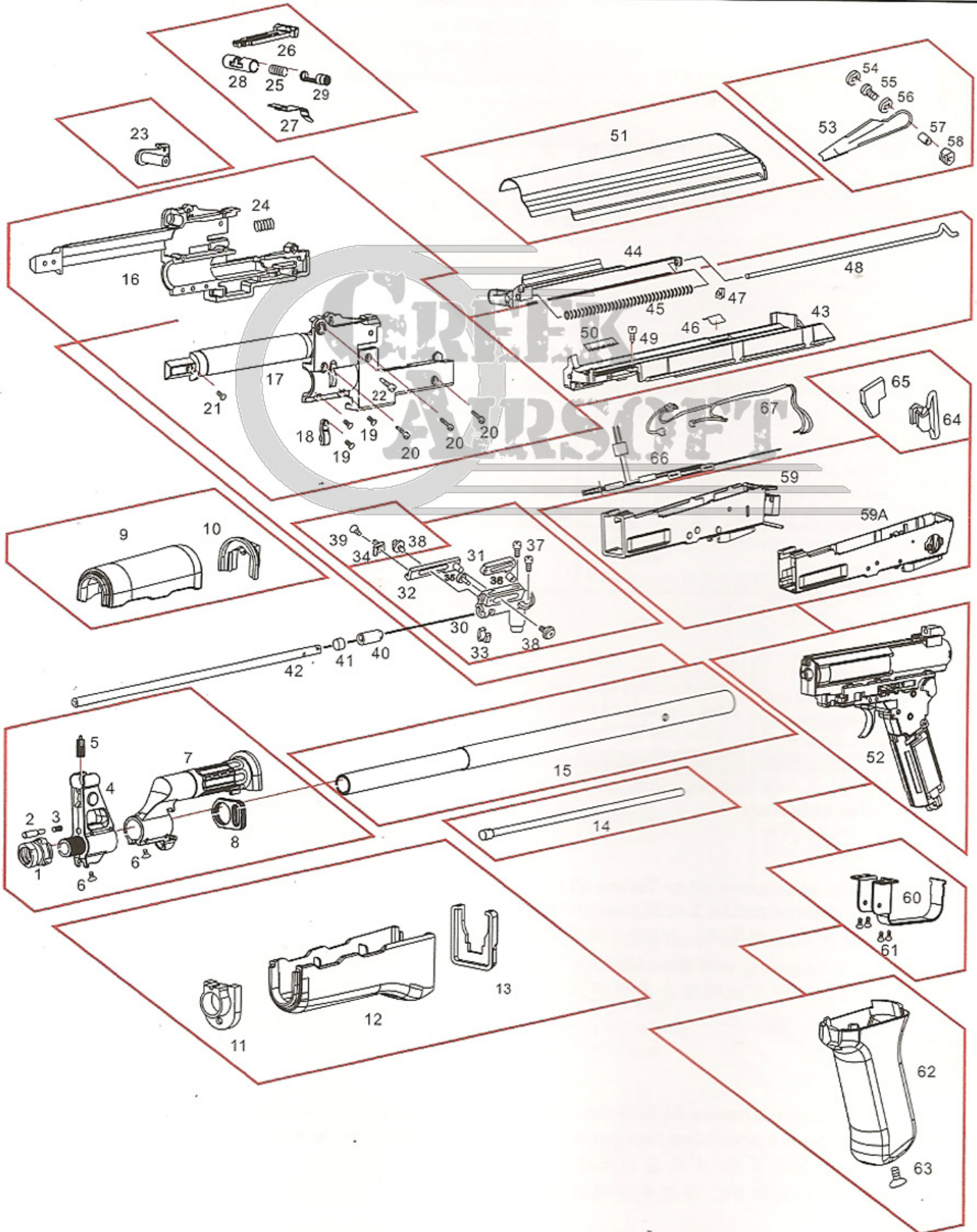
將M4六邊形扳手插入螺絲孔里以調整。

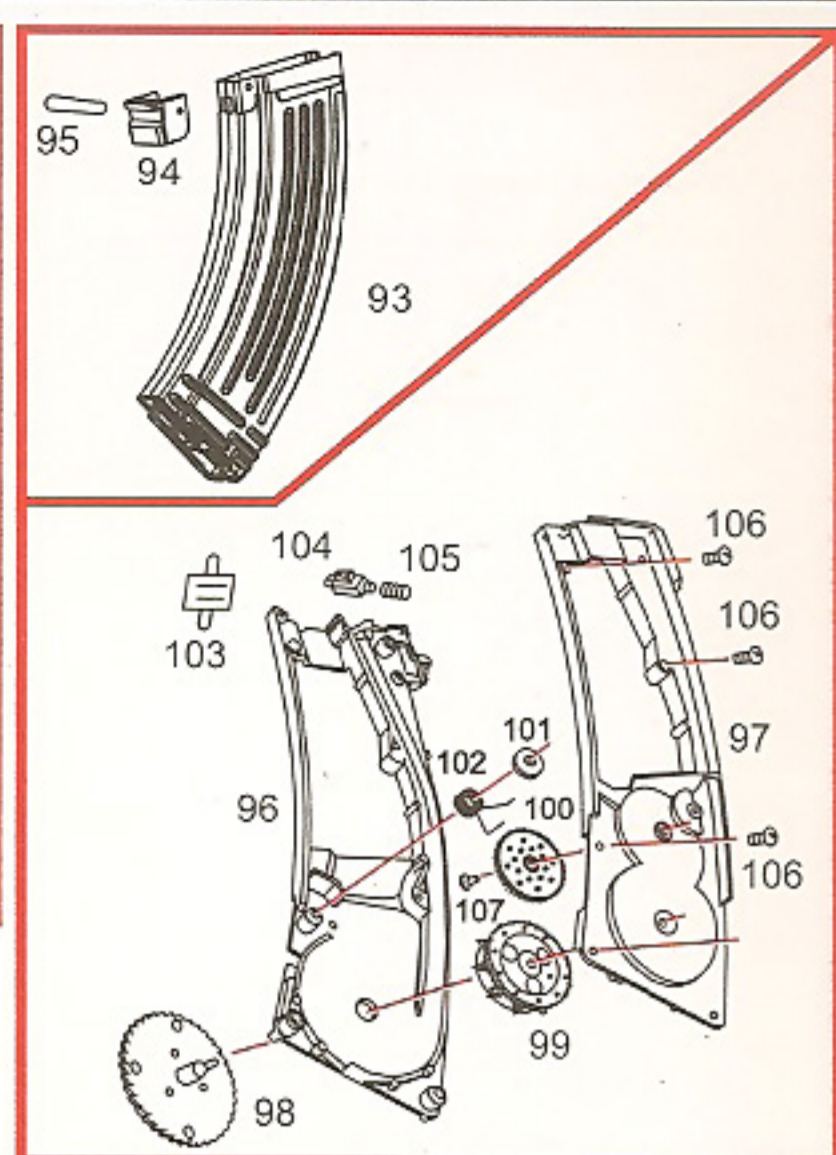
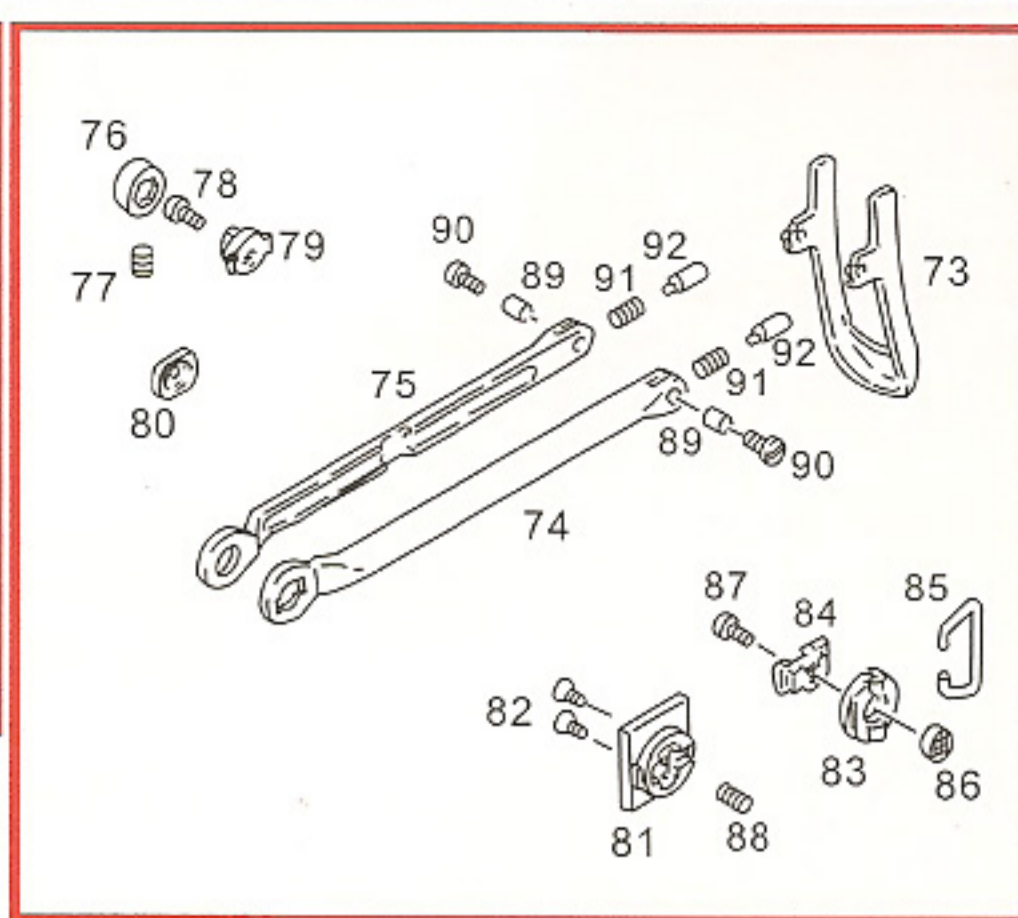
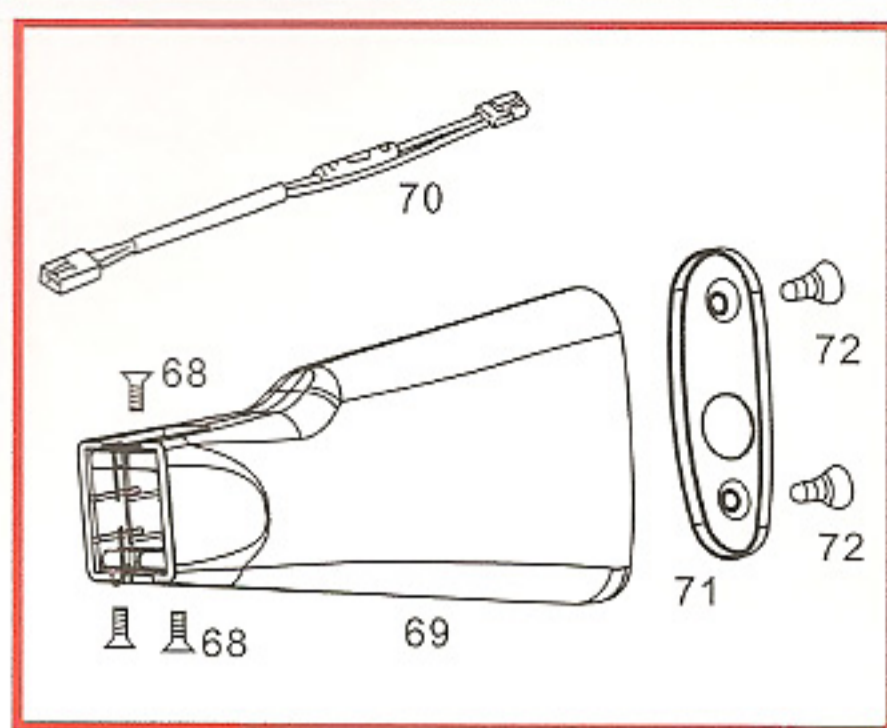
M4 hexagon wrench
M4六邊形扳手



Remove the screw from the grip bottom.

在把手底部擰開螺絲。





- | | | | |
|--|--|--|--|
| 1. The gun tooth inside the head | 1. 枪头内牙 | 56. Fire selector ring | 56. 发弹调节器卡环 |
| 2. Front barrel | 2. 枪头管正铁轴 | 57. Fire selector copy barrel | 57. 发弹调节器铜管 |
| 3. Spring $\varnothing 0.4 \times \varnothing 4.0 \times 17.5 \times 11T$ | 3. 压簧 $\varnothing 0.4 \times \varnothing 4.0 \times 17.5 \times 11T$ | 58. Located slice | 58. 定位卡只 |
| 4. Front gun tip | 4. 枪头 | 59. Gun body (042) | 59. 主体 (042) |
| 5. Front sight | 5. 前准星 | 59A. Gun body (042-S) | 59A. 主体 (042-S) |
| 6. M3×5 TMHO | 6. M3×5 TMHO | 60. Rigger loop | 60. 扳机圈 |
| 7. Out gun barrel | 7. 枪筒 | 61. M3×8 PMHO | 61. M3×8 PMHO |
| 8. Front gallus hook | 8. 前背带环 | 62. Gun grip | 62. 手把 |
| 9. Up gun guard | 9. 上护木 | 63. M4×5 TMHO | 63. M4×5 TMHO |
| 10. Up gun guard back cap | 10. 上护木后盖 | 64. Rear gallus hook | 64. 后背带环 |
| 11. Down gun guard front cap | 11. 下护木前盖 | 65. Location block | 65. 限位铁片 |
| 12. Down gun guard | 12. 下护木 | 66. 042S Wire | 66. 042S 电线 |
| 13. Down gun guard back cap | 13. 下护木后盖 | 67. 042 Protect a box of line | 67. 042 保箱线 |
| 14. Front gun tip decoration | 14. 枪头装饰条 | 68. $\varnothing 4 \times 10$ KAHO | 68. $\varnothing 4 \times 10$ KAHO |
| 15. Out gun barrel | 15. 枪外管 | 69. End stock cover | 69. 后枪托 |
| 16. Right HOP-UP seat | 16. 过只座右件 | 70. Power cable | 70. 电源线 |
| 17. Left HOP-UP seat | 17. 过只座左件 | 71. Gun stock cover | 71. 枪托后盖 |
| 18. Outer barrel location block | 18. 枪外管限位只 | 72. M4×10 KMHO | 72. M4×10 KMHO |
| 19. M3×10 PMHO | 19. M3×10 PMHO | 73. After gun give the iron gun | 73. 枪托铁后枪 |
| 20. M3×15 PMHO | 20. M3×15 PMHO | 74. The left gun gives the pole | 74. 左枪托杆 |
| 21. M3×6 PMHO | 21. M3×6 PMHO | 75. The right gun gives the pole | 75. 右枪托杆 |
| 22. M3×5 KMHO | 22. M3×5 KMHO | 76. Decorate the piece | 76. 装饰块 |
| 23. Up gun guard located nail | 23. 上护木限位钉 | 77. M3×6 Drill the dint | 77. M3×6 钻力 |
| 24. Spring ($\varnothing 0.5 \times \varnothing 2.3 \times 19 \times 16T$) | 24. 压簧 ($\varnothing 0.5 \times \varnothing 2.3 \times 19 \times 16T$) | 78. M4×10 PMHO | 78. M4×10 PMHO |
| 25. Spring ($\varnothing 0.4 \times \varnothing 3.9 \times 7.5 \times 6T$) | 25. 压簧 ($\varnothing 0.4 \times \varnothing 3.9 \times 7.5 \times 6T$) | 79. The right gun gives the pole card | 79. 右枪托杆卡座 |
| 26. Staff guage | 26. 标尺 | 80. The gun gives to fix the slice of iron | 80. 枪托固定铁片 |
| 27. Staff guage panel | 27. 标尺铁片 | 81. The gun gives the key spring coil | 81. 枪托按键弹簧座 |
| 28. Staff guage release spring | 28. 标尺按键弹簧座 | 82. M3×6 KMHO | 82. M3×6 KMHO |
| 29. Staff guage release | 29. 标尺按键 | 83. Braces wreath of empress | 83. 后背带环座 |
| 30. HOP-UP | 30. 过只 | 84. The left gun gives the pole card only | 84. 左枪托杆卡只 |
| 31. Rubber selector | 31. 橡胶调节片 | 85. Rear gallus hook | 85. 后背带环 |
| 32. Selector | 32. 过只调节片 | 86. The gun gives the key | 86. 枪托按键 |
| 33. Gun barrel connect link | 33. 枪管接只 | 87. M2×5 PMHO | 87. M2×5 PMHO |
| 34. Block | 34. 扣手块 | 88. Spring $\varnothing 0.7 \times \varnothing 5.6 \times 9 \times 6T$ | 88. 压簧 $\varnothing 0.7 \times \varnothing 5.6 \times 9 \times 6T$ |
| 35. Nail | 35. 管正钉 | 89. Copper set | 89. 铜套 |
| 36. Hop-up cylinder rubber | 36. 调节圆柱橡胶 | 90. M5×10 PMHO | 90. M5×10 PMHO |
| 37. M2.5×6 PWAHO d= $\varnothing 5.0$ | 37. M2.5×6 PWAHO d= $\varnothing 5.0$ | 91. Spring | 91. 压簧 |
| 38. $\varnothing 2.0 \times 4$ PWAHO d= $\varnothing 5.0$ | 38. $\varnothing 2.0 \times 4$ PWAHO d= $\varnothing 5.0$ | 92. The gun of iron gives to position the copper grain | 92. 铁枪托定位铜粒 |
| 39. $\varnothing 2.0 \times 4$ KBHO | 39. $\varnothing 2.0 \times 4$ KBHO | 93. Magazine cover | 93. 弹盒外壳 |
| 40. Hop-up rubber | 40. 过只橡胶 | 94. Magazine rear cover | 94. 弹盒扣 |
| 41. Inner barrel sleeve | 41. 枪管铜套 | 95. $\varnothing 2 \times 21.5$ shaft | 95. $\varnothing 2 \times 21.5$ 花轴 |
| 42. Inner barrel | 42. 枪内管 | 96. Right trajectory | 96. 右弹道 |
| 43. Battery case | 43. 电池座 | 97. Left trajectory | 97. 左弹道 |
| 44. Cocking lever | 44. 拉手 | 98. Gear | 98. 上链齿轮 |
| 45. Spring | 45. 拉手回位压簧 | 99. Clockwork spring base + clockwork spring + clockwork spring cover gear | 99. 发条座+发条+发条盖齿轮 |
| 46. Location block | 46. 限位铁片 | 100. Driver | 100. 传动齿轮 |
| 47. Spring located slice | 47. 拉手限位块 | 101. Gear | 101. 送只轮 |
| 48. Gun body cover release | 48. 枪身按键铁条 | 102. Gear spring | 102. 送只轮扭簧 |
| 49. M2×4.5 PMHO | 49. M2×4.5 PMHO | 103. Magazine cover | 103. 弹盒盖 |
| 50. Hop up | 50. Hop up 刻度标 | 104. Bullet block | 104. 子弹片 |
| 51. Gun body cover | 51. 枪身盖 | 105. Spring ($\varnothing 0.4 \times \varnothing 3.9 \times 7.5$) | 105. 弹簧 $\varnothing 0.4 \times \varnothing 3.9 \times 7.5$ |
| 52. Main gear box | 52. 保箱 | 106. $\varnothing 2.6 \times 10$ PAHO | 106. $\varnothing 2.6 \times 10$ PAHO |
| 53. Fire selector | 53. 发弹调节片 | 107. Ballistic transition nail | 107. 弹簧过渡钉 |
| 54. Outer fire selector | 54. 发弹调节片外扣只 | | |
| 55. M4×10 TMHO | 55. M4×10 TMHO | | |



ELECTRIC AIR GUN 電動汽彈槍

		CM.042	CM.042-S
Name	名稱	CM.042	CM.042-S
Overall length	全長	895mm	642/880mm(when stock is extended) 642/880mm(枪托展开时)
Weight	重量	3700 g including battery 3700 g (包含電池)	3610 g including battery 3610 g (包含電池)
Magazine capacity	裝彈數	600 BB bullets 600 BB 彈	600 BB bullets 600 BB 彈
Bullet	子彈	6mmBB bullets 6mmBB 彈	6mmBB bullets 6mmBB 彈
Initial bullet speed	初速度	120 m/sec(0.2g BB bullet) 120米/秒(0.2g BB 彈)	120 m/sec(0.2g BB bullet) 120米/秒(0.2g BB 彈)
Full auto shooting speed	連射速度	700 to 800 rounds/min 700至800发/分	700 to 800 rounds/min 700至800发/分

MADE IN CHINA