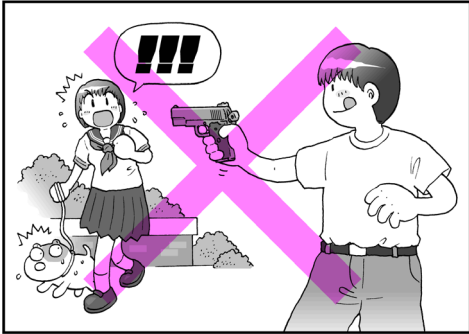


WARNING: BEFORE USAGE, THE INSTRUCTION MUST BE READ.

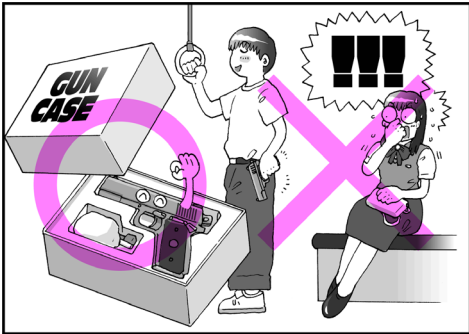
THANK YOU FOR PURCHASING. THE FOLLOWING ATTENTION POINTS AND INSTRUCTIONS MUST BE READ. SHOOTING WITHOUT CAUTION OR USED IMPROPERLY, BLINDNESS OR INJURIES COULD BE LEAD.



DO NOT POINT AT PEOPLE OR ANIMAL.



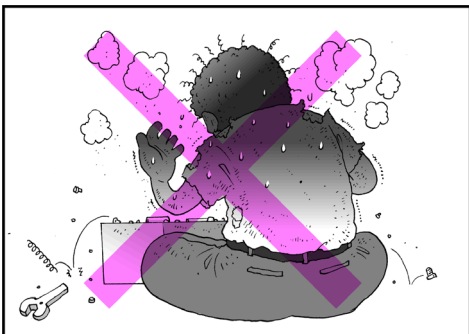
GUN AND GAS MUST NOT BE PLACED IN AREA WHERE TEMPERATURE IS OVER 40 °C



PLACE IN GUN CASE WHEN NOT IN USING OR TRANSPORTING



DO NOT USE GAS WHICH PRESSURE IS OVER 12 Kgs/cm²



UNAUTHORIZED RECONSTRUCTION OF AIR SOFT GUN TO STRENGTHEN FIRING FUNCTION IS STRICTLY PROHIBITED.



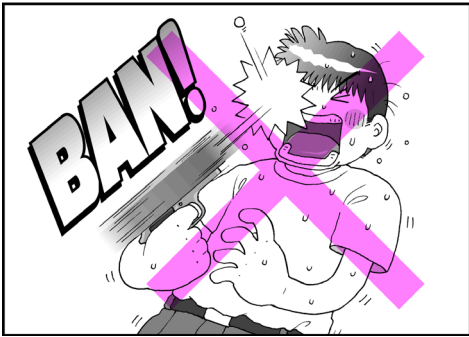
BE CAREFULL WHAT TARGET YOU SHOOT



EYE PROTECTION DEVICE MUST BE EQUIPPED



DO NOT LOAD ANYTHING BUT BB BULLETS.



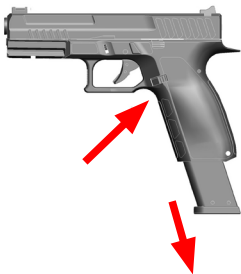
DO NOT LOOK THROUGH THE BARREL



PLEASE SHOOT IN SAFE PLACE

OPERATION

1. REMOVE THE MAGAZINE

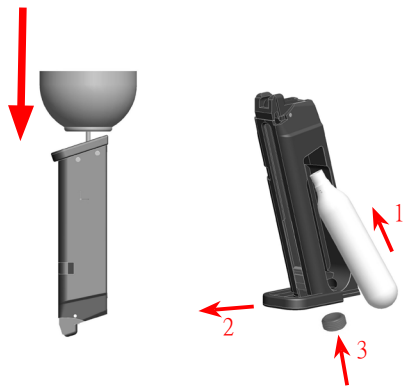


PRESS MAGAZINE CATCH AND REMOVE MAGAZINE

2. FILLING GAS

GAS MAG

CO2 MAG



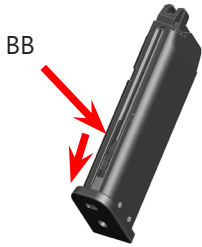
GAS MAG:

FILL THE GAS BOTTLE TO THE MAGAZINE IN VERTICAL DIRECTOR.

CO2 MAG:

Follow the instruction to insert the cartridge

3.LOAD BB



PULL DOWN FOLLOWER AND LOAD BB.

4 INSERT MAGAZINE



5.LOAD



PULL THE SLIDE TO LOAD

6.FIRE



PULL THE TRIGGER

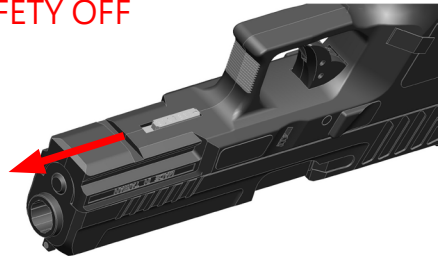
7.SAFE

SAFETY ON



SWITCH TO ON POSITION

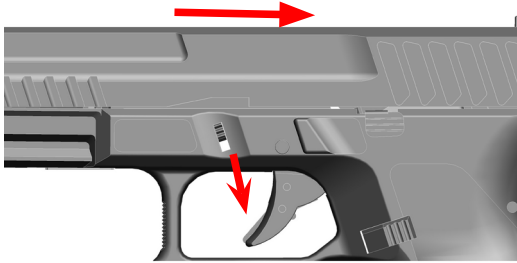
SAFETY OFF



SWITCH TO OFF POSITION

DISASSEMBLY

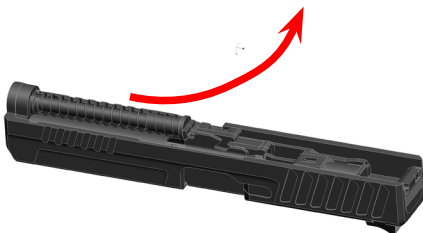
1. PULL BACK SLIDE AND PULL DOWN SLIDE LOCK



2. REMOVE THE SLIDE



3. REMOVE THE RECOIL SPRING AND GUIDE

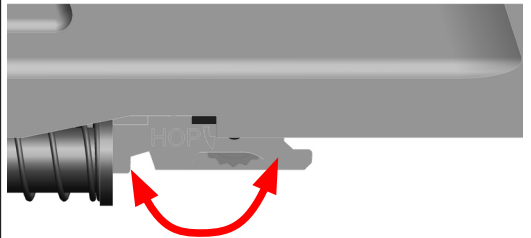


4. REMOVE THE BARREL

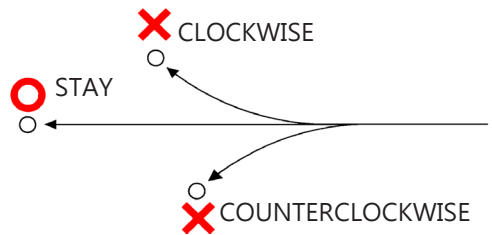


ASSEMBLY

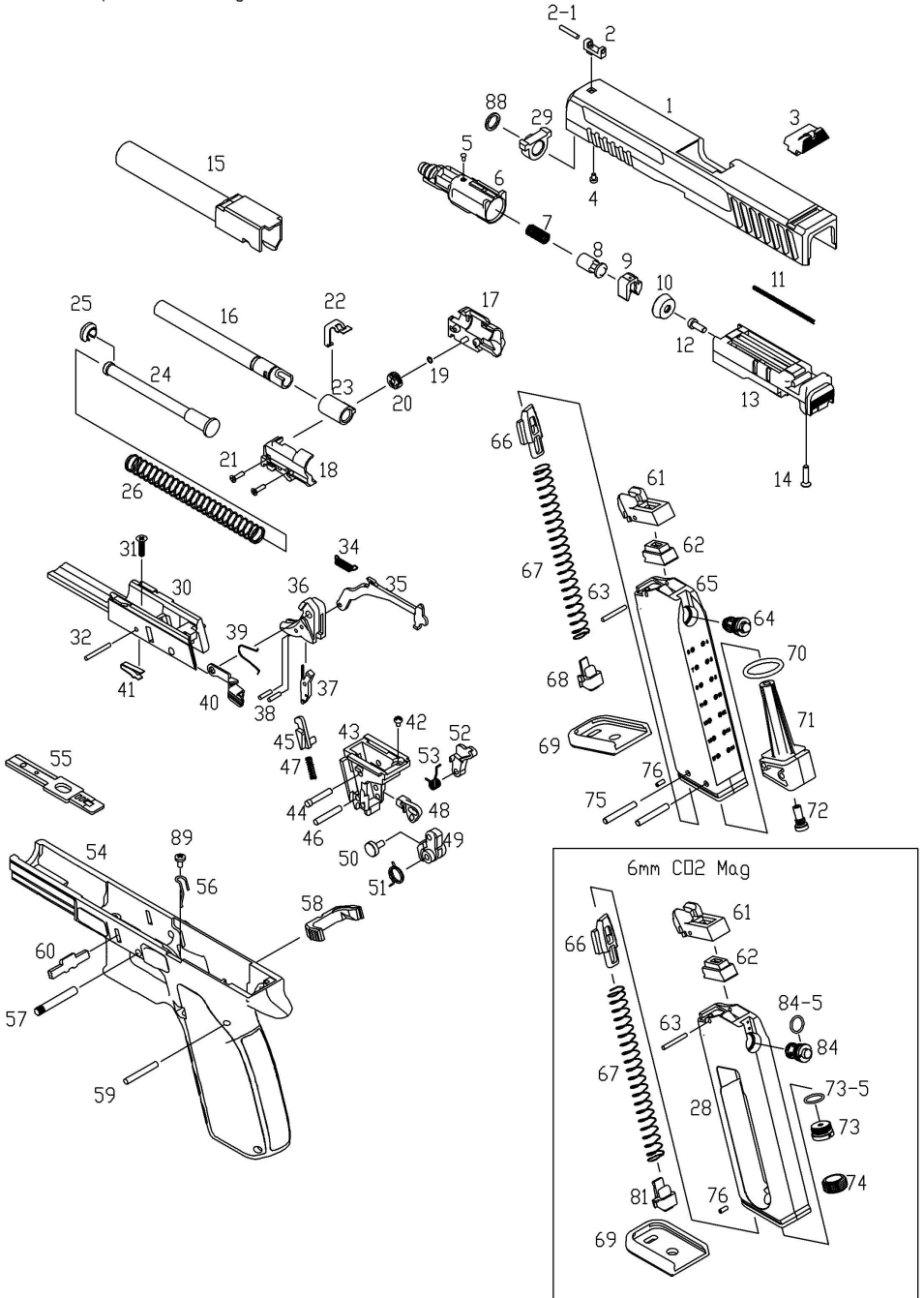
REVERSE THE DISASSEMBLY
ADJUST TREJECTORY



TURN ADJUST DIAL ACCORDING TO THE TREJECTORY



KP-13 Exploded Drawing



NO.	NAME	PRICE	NO.	NAME	PRICE
1	SLIDE	1600	43	HAMMER HOUSING	300
2	FRONT SIGHT	120	44	HAMMER PIN	20
2-1	FRONT SIGHT OPTIC FIBER	30	45	VALVE LOCK	60
3	REAR SIGHT	120	46	SEAR PIN	20
4	FRONT SIGHT SCREW	20	47	VALVE LOCK SP	20
5	FLOATING VALVE PIN	30	48	KNOCKER	120
6	CYLINDER	180	49	HAMMER	150
7	FLOATING VALVE SP	20	50	HAMMER CAM	80
8	FLOATING VALVE	30	51	HAMMER SP	30
9	FLOATING VALVE BLOCKER	40	52	SEAR	80
10	PISTON RING	50	53	SEAR SP	30
11	CYLINDER SP	30	54	FRAME	800
12	PISTON SCREW	10	55	SAFETY	120
13	PISTON	400	56	MAG CATCH SP	30
14	REAR SIGHT SCREW	10	57	TRIGGER PIN	20
15	OUTTER BARREL	500	58	MAG CATCH	160
16	INNER BARREL	240	59	HAMMER HOUSING PIN	20
17	CHAMBER (R)	160	60	SLIDE LOCK	80
18	CHAMBER(L)	160	61	BB LIP	80
19	ADJUST DIAL O-RING	10	62	GASKET	100
20	ADJUST DIAL	40	63	BB LIP PIN	20
21	CHAMBER SCREW	20	64	EX VALVE	180
22	ADJUST LEVER	60	65	MAG BODY	450
23	RUBBER CHAMBER	80	66	FOLLOWER	40
24	RECOIL GUIDE	160	67	FOLLOWER SP	60
25	RECOIL GUIDE WASHER	40	68	MAG BOTTOM STOP	30
26	RECOIL SP	60	69	MAG BOTTOM	150
28	MAG BODY (CO2 MAG)	450	70	MAG BASE O-RING	30
29	SLIDE PAD	60	71	MAG BASE	200
30	TRIGGER HOUSING	300	72	CHARGE VALVE	80
31	TRIGGER HOUSING SCREW	10	73	STAB	100
32	SAFETY SP PIN	20	73-5	STAB O-RING	20
34	TRIGGER BAR SP	30	74	MAG BASE NUT(CO2 MAG)	100
35	TRIGGER BAR	200	75	MAG BASE PIN	20
36	TRIGGER	120	76	MAG BOTTOM STOP DETENT	20
37	TRIGGER SAFETY	60	81	MAG BOTTOM STOP	30
38	TRIGGER SAFETY PIN	20	84	EX-VALVE	240
39	SLIDE STOP SP	30	84-5	EX VALVE O-RING	20
40	SLIDE STOP	100	88	RECOIL GUIDE PAD	40
41	SAFETY SP	30	89	MAG CATCH SP SCREW	10
42	HAMMER HOUSING SCREW	10			

KP-13

MANUAL

KJWORKS

Kjworks No.12 Lian-Ming 1st Street,Bade City,Taoyuan county,Taiwan
Tel:03-3749793 Fax:03-3618130 e-mail:kjworks@ms47.hinet.net
www.kjworks.com.tw