



UTG NEW GEN TACTICAL OP QD BIPODS

PICATINNY & SWIVEL STUD MOUNT

NEW GEN



TL-BP88Q



ANTI-ROTATION
STEEL CROSSBAR
INSERT



Panning



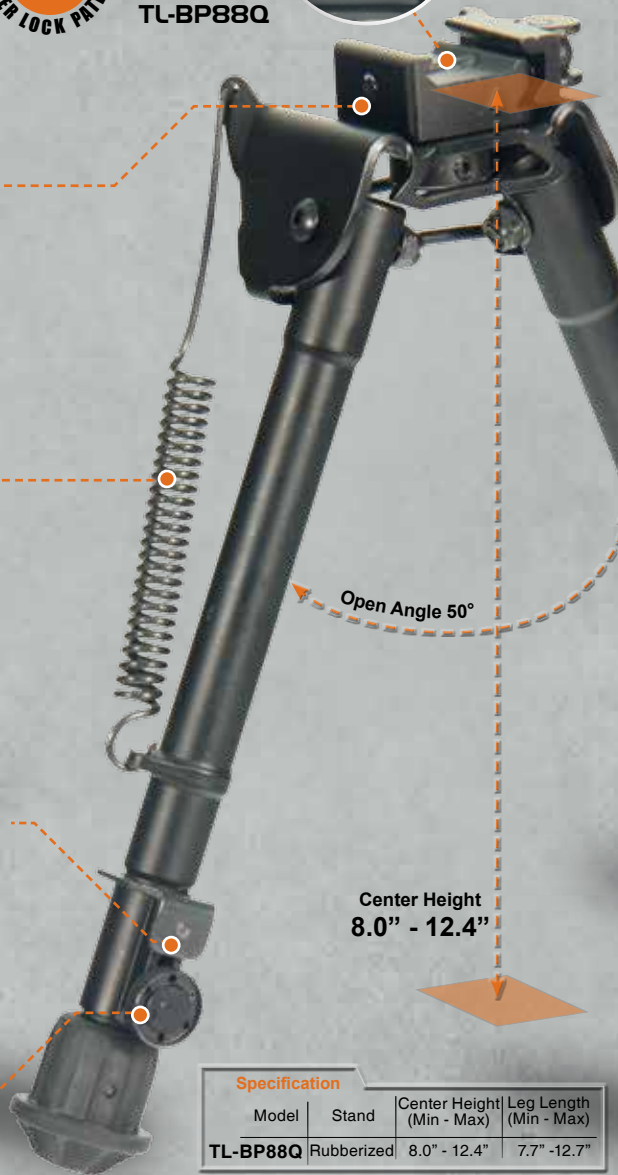
Robust External Spring
Tension with solid Integral
Spring Catcher



Notched Leg Extension with Locking
Wheel & Push Button Retraction



Lockable Thumb Wheel For
Flexible In-Between
Notch Extension



Open Angle 50°

Center Height
8.0" - 12.4"

Specification			
Model	Stand	Center Height (Min - Max)	Leg Length (Min - Max)
TL-BP88Q	Rubberized	8.0" - 12.4"	7.7" - 12.7"



Swivel Stud Kit Included
(Also Sold Separately TL-BPAD1)

TL-BP78Q



Open Angle 50°

Center Height
5.9" - 7.3"

Specification			
Model	Stand	Center Height (Min - Max)	Leg Length (Min - Max)
TL-BP78Q	Rubberized	5.9" - 7.3"	5.5" - 7.4"



Quick Detachable Lever Lock
With Full Adjustability for
Picatinny/Weaver Rails
U.S. Patent: 8397421



Double Support Bars for
Enhanced Structural Strength



Heavy Duty Non-Slip
Rubberized Foot Pads