

GM1903 A3

ONE RIFLE TWO SYSTEMS



WWW.GUAY2.COM

G&G ARMAMENT
AIRSOFT GUNS & ACCESSORIES

TAIWAN

ChangHua (HeadQuarter) Tel : +886-4-798-9000 Fax : +886-4-798-9900
No.999, Zhonghua Rd. Shengang Township,
Changhua County 50952, Taiwan (R.O.C.)

Taipei Tel : +886-2-2692-2000 Fax : +886-2-2692-4000
11F-3., No.27, Lane 169, Kangning St. Shijr City,
Taipei County 22180, Taiwan (R.O.C.)

Sales Dept. sales@guay2.com, b2b@guay2.com
Technology Dept. support@guay2.com
PR Dept. pr@guay2.com

Los Angeles

U.S.A.

Tel : +1-626-581-0101
Fax : +1-626-581-1011
1122 Colner Court
City of Industry, CA 91748 (USA)
sales101@guay2.com

G2 201312-01-R



LIVING INNOVATION
FINEST QUALITY
BEST SERVICE
REAL ITEMS
LOW PRICE

GM1903 A3

ONE RIFLE TWO SYSTEMS



Components

- 01. Introduction
- 02. Components
- 03. Warning
- 05. Selector and safety setting
- 06. Installing cartridge
- 07. Sight adjustment
- 08. Removing the bolt & Hop-up adjustment
- 09. Loading the magazine
- 10. Installing the Bayonet
- 11. Parts list
- 13. Maintenance
- 14. Trouble shooting

Introduction

GM1903 A3 can be powered by CO2 and Green Gas. Both CO2 and Green Gas magazines are interchangeable and can be used on the same rifle. The M1903 Springfield is formally known as the United States Rifle, Caliber .30-06, Model 1903. It was officially adopted as a United States Military bolt-action rifle on June 19, 1903, and served in World War I. It was officially replaced as the standard infantry rifle by the faster-firing, semi-automatic 8 round M1 Garand, starting in 1937. However, the M1903 Springfield remained in service as a standard issue infantry rifle during World War II, since the U.S. entered the war without sufficient M1 rifles to arm all troops. It also remained in service as a sniper rifle during World War II, the Korean War, and even in the early stages of the Vietnam War.



G&G ARMAMENT
AIRSOFT GUNS & ACCESSORIES



- ▲ All products employ a high precision 6.04mm barrel. Using 5.95mm BB pellets is highly recommended. Damage to the product due to faulty BB pellets voids the warranty. Use with caution.
- ▲ The buyer and the user of this product shall adhere to all local laws regulating the usage and the ownership of airsoft guns.

- ▲ This product is intended for users 18 years or older.
- ▲ Read all instructions before using this product.
- ▲ Adult supervision required.
- ▲ Always wear safety goggles when using this product.
- ▲ Misuse or careless handling of this product may cause injury.
- ▲ May be hazardous up to 50 meters.

- Orange tip disclaimer :**
- ▲ All G&G Airsoft guns come with a permanent fixed orange tip required by law, which will grant Airsoft legal usage in the United States.
 - ▲ If you alter, modify, abuse or remove the orange tip, all warranty coverage will be void.

Warning
For more product information
please visit our website
www.guay2.com



You may be liable for damaging public, personal property, or for injuring a person or an animal. Always observe good manners and enjoy fun sport shooting.



When you carry the air gun, attach the safety cap, set the selector lever to the safety position, and always put the air gun in a case or bag.

Never direct the muzzle towards a person, animal, or in any direction that may cause harm or damage to a third party.



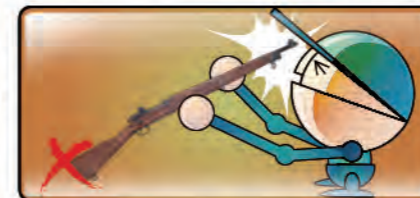
Make sure to put the barrel and safety cap onto the muzzle except when shooting, to prevent any accidents, discharge of BB's, and also for dust protection purposes. Never pull the trigger while the barrel and safety cap are attached.

Safety procedures:
1. Attach the safety cap to the muzzle.
2. Set the selector lever to the safety position.
3. Remove the magazine.
4. Remove CO2 cartridge.



Select a safe place for operating the air gun and avoid places where people and cars are around.

Looking into the muzzle is extremely dangerous, regardless of having BB's loaded or not. If you get hit in the eye by a BB pellet, worst case scenario, you may lose your eye sight.



Activating the trigger carelessly is extremely dangerous. Never your finger on the trigger unless the safety cap is removed and you are ready to shoot a target.

When shooting the air guns for target practice or in a game situation, you and all participants must wear safety goggles or other eye protective gear. Please pay attention to ricochets and third parties around you.



Always attach the safety cap to the muzzle, remove the battery and store the air gun in a case or bag and at a place that is out of reach of children.

There may be cases where some BB's remain in the gun after the magazine has been removed. After removal of the magazine, direct the muzzle towards a safe direction and pull the trigger to confirm that there are no BB's remaining in the gun, then attach the safety cap.



Disassembling or modifying the gun may adversely affect the performance and make it dangerous. It would also void all warranty.

Selector and safety setting

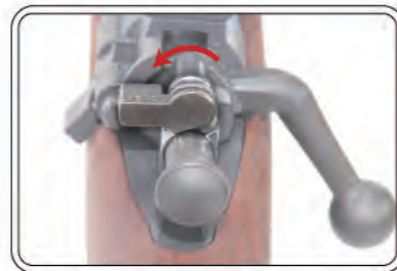


Warning
 Complete the loading cycle before switch to safety as following:

1. Pivots the bolt upward.
2. Pull the bolt back to cock the hammer.
3. Push the bolt forward to load the BB into chamber.
4. Pivots the bolt downward to complete the loading cycle.
5. Switch the safety to right hand side.



Safe mode
 When you are not firing the gun, set the selector to the safe mode.



Ready mode
 Setting the selector to the Fire mode, the gun will fire one shot each time as pull the trigger.

Installing Green gas or CO2 cartridge

<p>Step1 Push the button backward.</p>	<p>Step2 Take out the BB loader.</p>	<p>Warning Use the extended gas nozzle when necessary.</p> <p>Green gas</p> <p>Step3 - Green gas Filling gas into the magazine.</p>
<p>CO2</p> <p>Step3 - CO2</p> <ol style="list-style-type: none"> 1. Turn counterclockwise to release the CO2 cartridge cover plate. 2. Take out the cover plate. 	<p>Step4 Put back the CO2 cartridge cover and BB loader.</p>	

Sight adjustment



Windage knob

Left / Right Adjustment

Turn clockwise :

To correct the shots leaning to the left.

Turn counter-clockwise:

To correct the shots leaning to the right.

Slide the sight up or down accordingly to the target range near or far away.

Warning

Never hold the gun sideways as the BB pellets will curve right or left. This is due to the HOP-UP system.

A. Too much HOP-UP. (Return the lever toward NORMAL)

B. Best direction.

C. Not enough HOP-UP (Move the lever toward HOP).
or too much HOP-UP (Return the lever toward NORMAL).



Hop-up adjustment



Push the left side receiver button.



Turning hop-up dial for desired flight pattern of the BB pellet.
The hop-up dial can be turned to a certain degree.
Turning it too much will damage the unit.

Removing the bolt



Removing the bolt

Flip the switch between "ON" and "OFF" to pull out the bolt.

Install the magazine



GM1903 A3 Silver

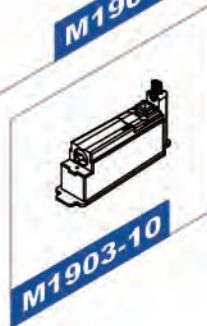
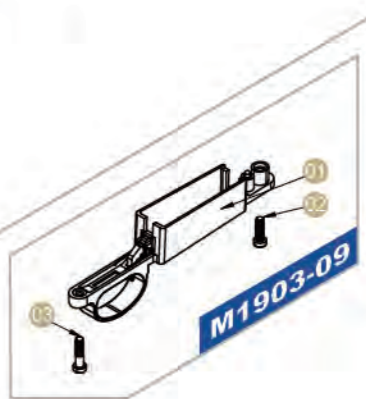
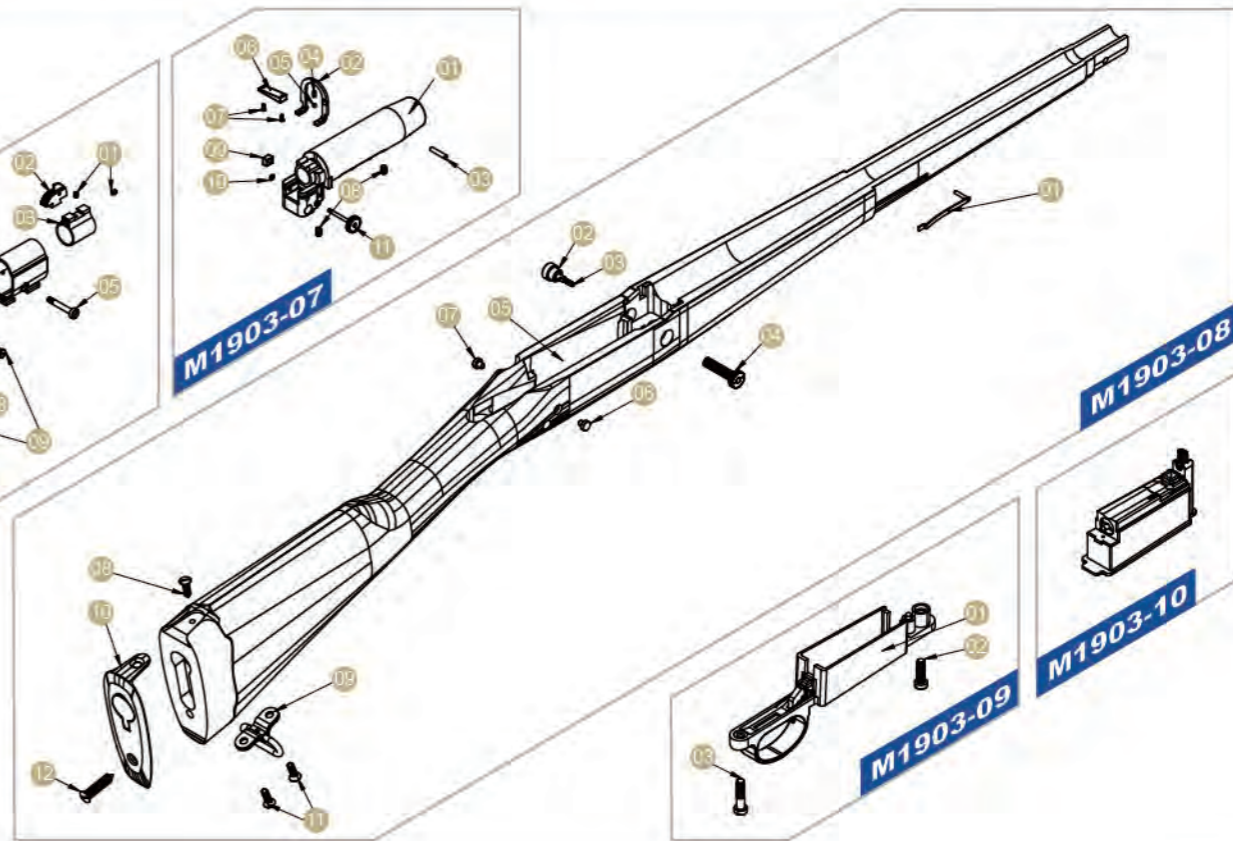
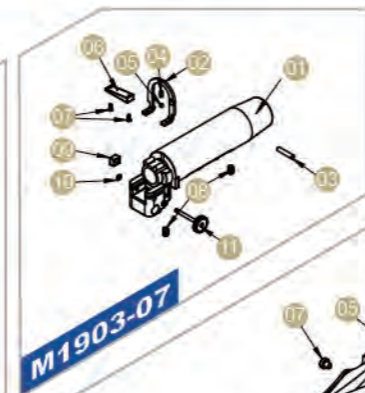
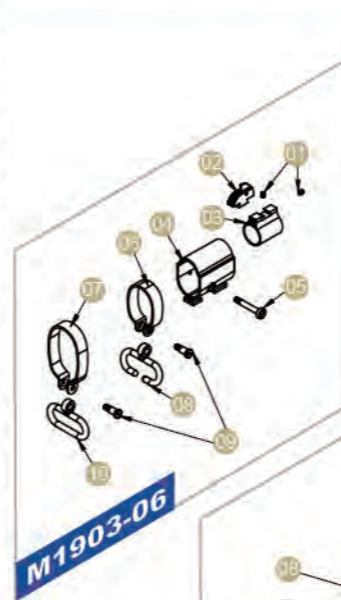
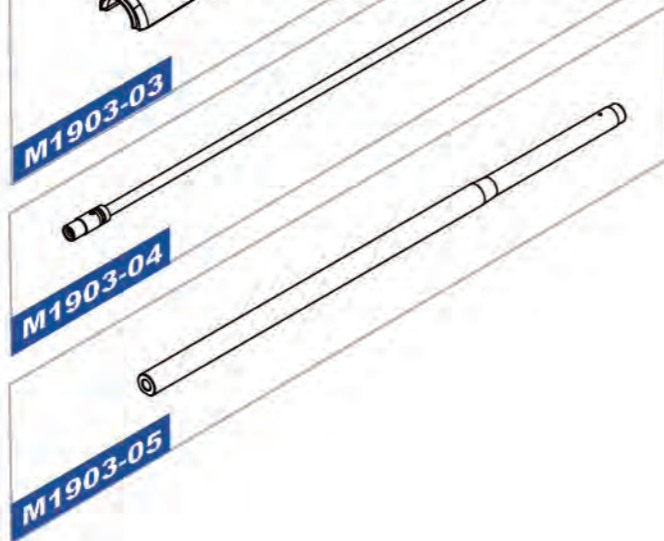
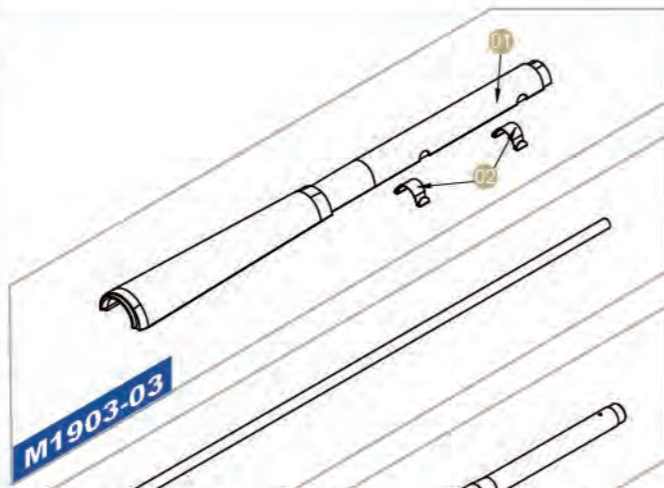
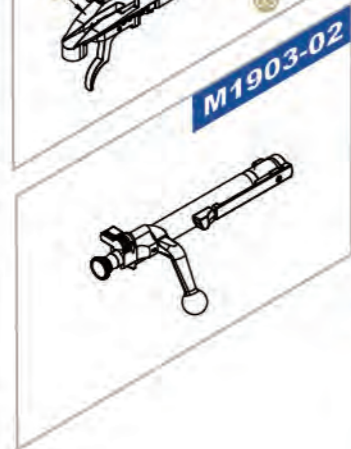
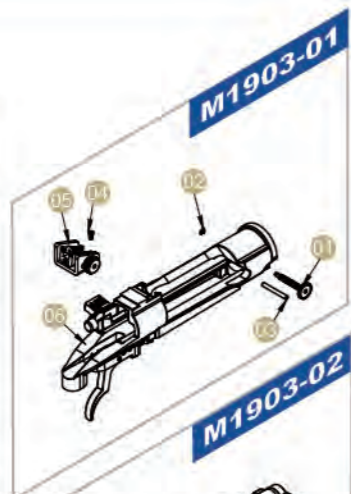


G&G ARMAMENT
AIRSOFT GUNS & ACCESSORIES



Parts Name

M1903-01	Receiver and trigger assembly
M1903-02	Bolt handle set
M1903-03	Upper cover set
M1903-04	Inner barrel
M1903-05	Outer barrel set
M1903-06	stock hardware
M1903-07	Front kit
M1903-08	wood stock set
M1903-09	Trigger guard set
M1903-10	CO2 or Green gas Magazine



Maintenance



Maintenance When Pellet Speed Becomes Low

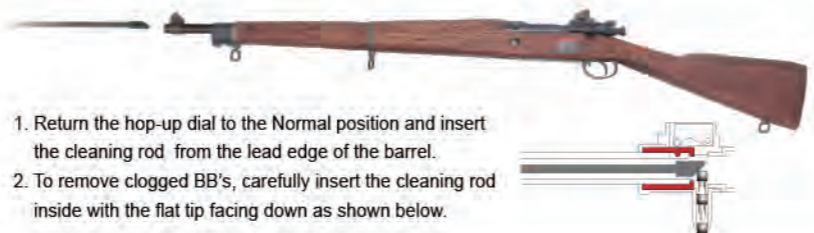


1. Place a few drops of silicone oil or teflon oil into the end of the barrel. After inserting BB pellets into the magazine, fire the gun for up to 200-300 pellets.
2. To complete the cleaning, use the cleaning rod (with cotton) to remove excess oil.

Warning

- ▶ Do not jam the cleaning rod into the barrel by force.
- ▶ Should the BB's remains inside the barrel, point the gun towards a safe direction and discharge any loosened BB's in semi-automatic mode.

Removing Clogged Pellets



1. Return the hop-up dial to the Normal position and insert the cleaning rod from the lead edge of the barrel.
2. To remove clogged BB's, carefully insert the cleaning rod inside with the flat tip facing down as shown below.

Warning

- ▶ Make sure no dirt gets into the chamber to avoid clogging of pellets.
- ▶ Hop-up may be unstable for 200 to 300 rounds after using silicone oil. This is the normal operation of the gun.
- ▶ Never use CRC-556, WD40, or other corrosive lubricants.

Troubleshooting

- 1 Check to ensure that your lubricant reservoir is at the required level for optimal operation. This can cause mechanical malfunctions if not properly maintained.
- 2 Point the muzzle in a safe direction and inspect the chamber or feed tube if the weapon doesn't fire. Typically, a pellet or BB may jam inside the chamber, causing the airsoft gun not to fire, or other debris may be inside the barrel or chamber. Place the airsoft gun on "Safe." Look inside the chamber or feed tube to locate and remove the jam or debris. A slender pointed tool or tweezers can be used to grab jammed ammunition or other debris.
- 3 Check all O-rings, air seals and pistons if the weapon isn't shooting at its indicated velocity range. Low air pressure causes poor range performance. Consult your specific manual to access the O-rings, seals and pistons. Look for any visible damage or worn spots. Replace the items if needed.
- 4 Check the CO2 cartridge, if the gun is so equipped. Often, poor performance is caused by low CO2 levels. You may hear a loud burping sound, or the airsoft gun won't fire properly when the CO2 is low or empty. Ensure that the CO2 cartridge is properly installed and sealed correctly. Installing a fresh cartridge generally corrects this problem.
- 5 Adjust your sights or scope if the airsoft gun isn't firing on target accurately. If no other problems are evident, fine tuning the sights or scope will bring your shots back on target. Often, the sights can become out of tune through transport, improper storage or dropping the weapon. Consult your specific manual for detailed sight adjustment procedures.

When Hopping Up is improper

SYMPTOM	POTENTIAL	CORRECTIVE
Pellets flying upwards	Too much hop setting.	Gradually return adjustment lever backward.
Short flying distance of pellets (less hopping up effect)	Too much hop setting.	Gradually return adjustment lever forward.
	Hop packing contaminated by oil or dirt.	Fire pellets equivalent to 4 to 5 magazine or clean the chamber using cleaning rod.
	Dirt inside a barrel.	
Cannot adjust	Worn or damaged hop packing.	Purchase the replacement part at your dealer or from G&G and replace it.
	Damaged adjustment lever or other parts.	Purchase the replacement part at your dealer or from G&G and replace it.
Frequent pellet clogging	Too much hop setting.	Gradually return adjustment lever towards Normal.
	Improper size BB pellets.	Use the BB pellet supplied by G&G Armament.
	Dirty hop packing.	Clean using the cleaning rod or consult your dealer or G&G for repair.